

Part number:

**HYDROMA**

HYDRAULICKÉ SYSTÉMY

**HIDROMA  
SYSTEMS**

UKŁADY HYDRAULICZNE

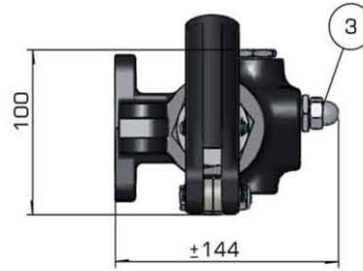
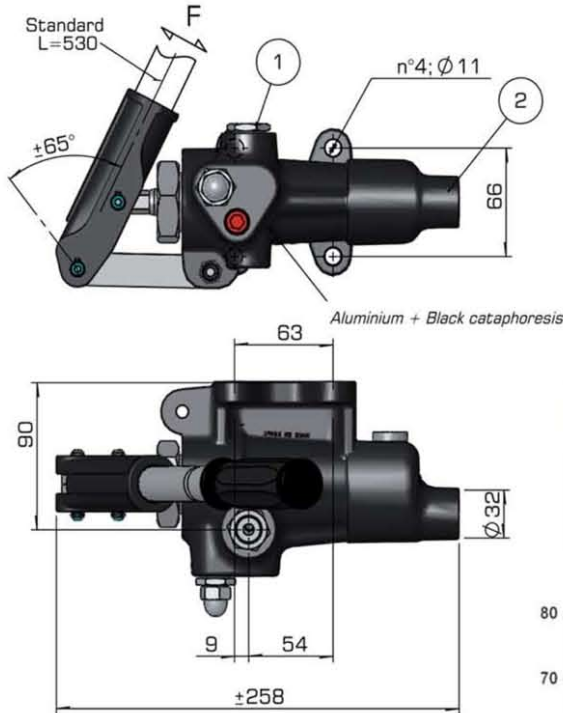
**HYDROMA**

ГИДРАВЛИЧЕСКИЕ СИСТЕМЫ

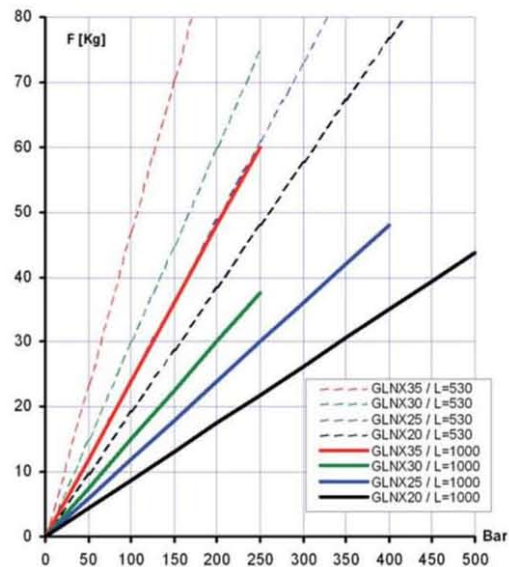
Hydraulic Hand Pumps - Foot Pedal Pumps  
Air-Hydraulic Pumps - Accessories

**Hydraulic Hand Pump Type GLNX (20-35)**

Double stroke function for single acting cylinder



TYPE	DELIVERY Cc	PRESSURE Bar
GLNX20	17	400
GLNX25	27	300
GLNX30	39	200
GLNX35	52	150



Mounting:

Any position.

Weight Kg. ~ 3.1 - 3.4

- 1 Pressure port 3/8" G bspp
- 2 Suction 1/2" G bspp
- 3 Relief Valve

Dimensions and characteristics not binding. Modifications reserved without prior notice.