

Part number:

060-10069

HYDROMA

HYDRAULICKÉ SYSTÉMY

**HIDROMA
SYSTEMS**

UKŁADY HYDRAULICZNE

HYDROMA

ГИДРАВЛИЧЕСКИЕ СИСТЕМЫ

Flow Monitor Flow Indicator

DKG



Operation

The flow monitors and indicators type DKG operate with the float measuring principle



Application

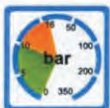
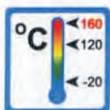
The flow monitors and indicators type DKG are used for measuring and monitoring the flow of oils and other viscous media.

They are designed in such a way, that also with changes of viscosity, a reliable limit value monitoring is possible. Here the kinematic viscosity may vary between 30 cSt and 600 cSt.

The instruments are predominantly used in lubricant systems.

Areas of application are:

- Central lubrication
- Circulation lubrication
- Transformers



Features

The DKG series proves itself through reliable function and easy handling. Further characteristics of this sturdy type are:

- universal orientation
- viscosity compensated
- high switch accuracy
- infinitely variable switchpoint adjustment through user
- EX-version to ATEX for DKG-1... available
- Scales are burned into the sight glass
- Threaded connection
Special threads on request

Installation hints

The installation of the instrument can be done in any way in the system. The flow direction must be observed.

The instrument must not be used as a supporting part in a pipeconstruction!

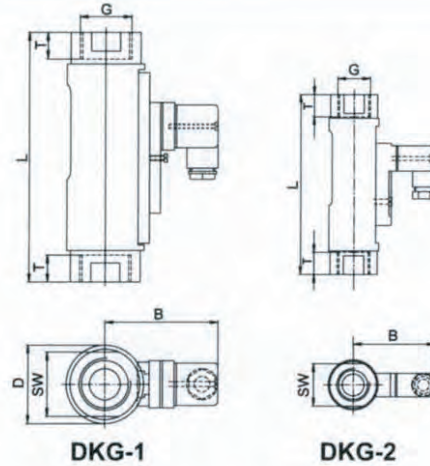
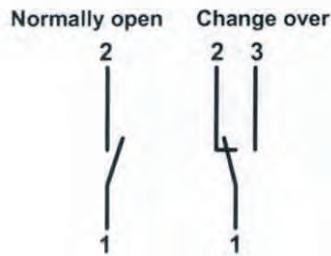
The medium must not contain any solid particles! We recommend the installation of strainers type SFD or SFM.

External magnetic fields influence the switch contact. Keep adequate distance to those magnetic fields (e.g. electromotors)!

The operating instruction for DKG must be observed under any circumstances!

Measuring Ranges, Technical Data

Connection diagram



Summary of types DKG

Type	Switch range* [l/min]	SW	D	Overall dimensions mm					Weight approx. [g]					
				B	G	DN	T	L						
DKG-2/2	0,5 - 1,7	27	32	53	1/2"	15	14	114	300					
DKG-2/4	1,3 - 4													
DKG-2/8	2,5 - 8													
DKG-1/1	0,1 - 0,8	41	50	77	1/4"	8	17	145	850					
DKG-1/2	0,5 - 1,5				1/2"	15		145						
DKG-1/4	1 - 4				3/4"	20		139						
					1"	25		158						
DKG-1/8	2 - 8	41	50	77	1/2"	15	17	145	850					
DKG-1/10	3 - 10				3/4"	20		139						
DKG-1/15	5 - 15				1"	25		158						
DKG-1/24	8 - 24				41	50		77		3/4"	20	17	139	850
DKG-1/30	10 - 30												1"	
DKG-1/45	15 - 45	41	50	77			3/4"		20				17	
DKG-1/60	20 - 60				1"	25		158						
DKG-1/90	30 - 90				1"	25		158						

* Other switch ranges on request

Operating data	DKG-1	DKG-2
Operating pressure:	PN 10 bar	PN 16 bar
Pressure drop:	0,02 - 0,4 bar	0,02 - 0,2 bar
Maximum temperature:	120 °C (optional 160 °C)	
Viscosity range:	30 cSt to 600 cSt	
Accuracy:	±10% of full scale	
Electrical data		
Normally open:	max. 250V • 3A • 100VA	max. 230V • 3A • 60VA
Change over:	max. 250V • 1,5A • 50VA	max. 250V • 1,5A • 50VA
Atex II 2G EEx m II T6 (only for DKG-1)	Change over: 250V • 1A • 30VA, IP67 / Normally open: 250V • 2A • 60 VA, IP67	
EEx m II T6 (only for DKG-1)	Change over: 250V • 1A • 30VA, IP67 / Normally open: 250V • 2A • 60 VA, IP67	
EEx ia IIC T6 (only for DKG-1)	Change over / Normally open: 45V • 1A, IP67	
Ingress Protection:	IP65 (plug connection DIN 43650 Form A or C) IP67 (1m sealed in cable, with EEx-version 2 m)	
Output signal:	The contact opens / changes, when the flow falls below the set point.	
Power supply:	Not required (potentialfree reed contacts)	
Other plug types or cable lengths on request		
Material	Brass	Stainless Steel
Wetted parts:	Brass nickel-plated	1.4571
Sight glass: (wetted part)	Duran 50	Duran 50
Spring: (wetted part)	1.4571	1.4571
Gaskets: (wetted part)	Viton (optional Perbunan, EPDM)*	Viton (optional Perbunan, EPDM)*
Magnets: (wetted part)	Hardferrit	Hardferrit
Housing: (non wetted part)	Aluminium anodized	Aluminium anodized

* Other gasket materials on request