

Part number:

HYDROMA

HYDRAULICKÉ SYSTÉMY

**HIDROMA
SISTEMS**

UKŁADY HYDRAULICZNE

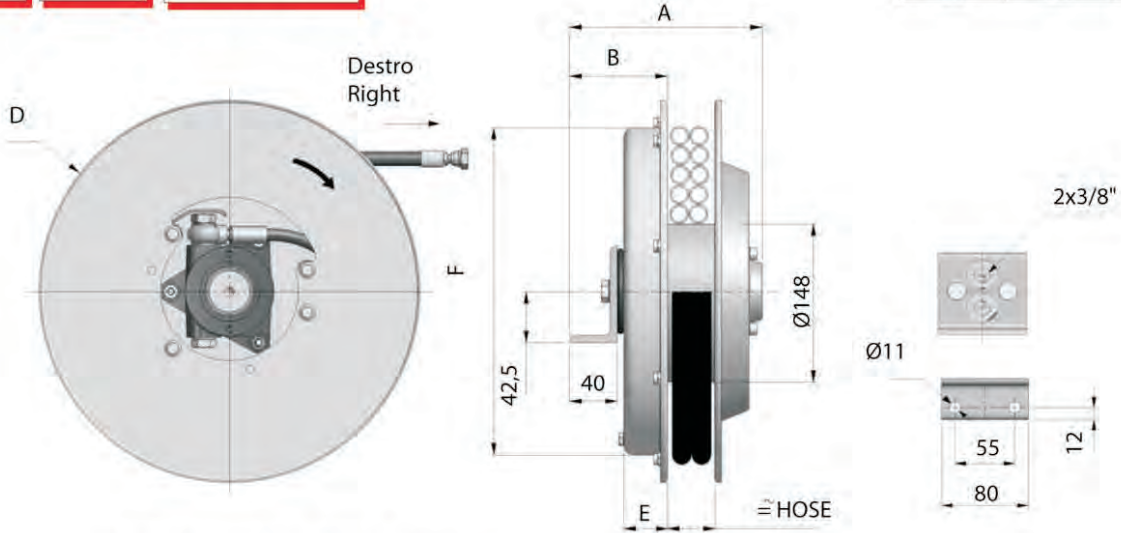
HYDROMA

ГИДРАВЛИЧЕСКИЕ СИСТЕМЫ

MAX
30 l/min

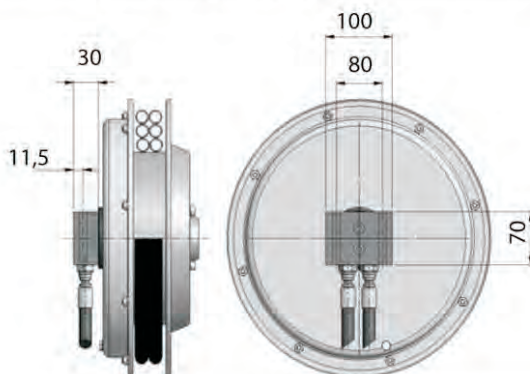
W. P.
300 bar

MAX HOSE SPEED
30 m/min



AGD 295 = MODELLO DESTRO / RIGHT MODEL
AGS 295 = MODELLO SINISTRO / LEFT MODEL
Es. ORD: AGD 295.10.R7

Codice destro Right code	A	B	D	E	F	Con tubo / With Hose R7-R8-B1			Con tubo / With Hose B2	
						Ø	Lungh.totale	Lungh.utile	Totale	Utile
							Total length	Usable length	Total	Usable
mm						m		m		
AGD200.05.XX	133	65	200	30	195	3/16"	2,5	2,3	-	-
AGD200.06.XX						1/4"	1,5	1,3	-	-
AGD230.05.XX						3/16"	3,0	2,7	-	-
AGD230.06.XX	141	75	235	30	228	1/4"	2,2	1,9	-	-
AGD230.08.XX						5/16"	2,0	1,7	-	-
AGD230.10.XX						3/8"	2,0	1,7	-	-
AGD270.05.XX	150	75	275	30	272	3/16"	4,5	4,2	-	-
AGD270.06.XX						1/4"	4,0	3,7	-	-
AGD270.08.XX						5/16"	3,2	2,9	2,6	2,3
AGD270.10.XX						3/8"	2,8	2,5	2,5	2,2
AGD295.06.XX	150	75	295	35	272	1/4"	4,7	4,4	-	-
AGD295.08.XX						5/16"	4,2	3,9	3,5	3,2
AGD295.10.XX						3/8"	3,6	3,3	3,0	2,7
AGD320.06.XX	150	82	325	37	272	1/4"	5,5	5,2	-	-
AGD320.08.XX						5/16"	5,0	4,7	4,0	3,7
AGD320.10.XX						3/8"	4,5	4,2	4,0	3,7
AGD340.06.XX	150	82	340	37	272	1/4"	6,0	5,7	-	-
AGD340.08.XX						5/16"	5,3	5,0	4,5	4,2
AGD340.10.XX						3/8"	4,6	4,3	4,3	4,0

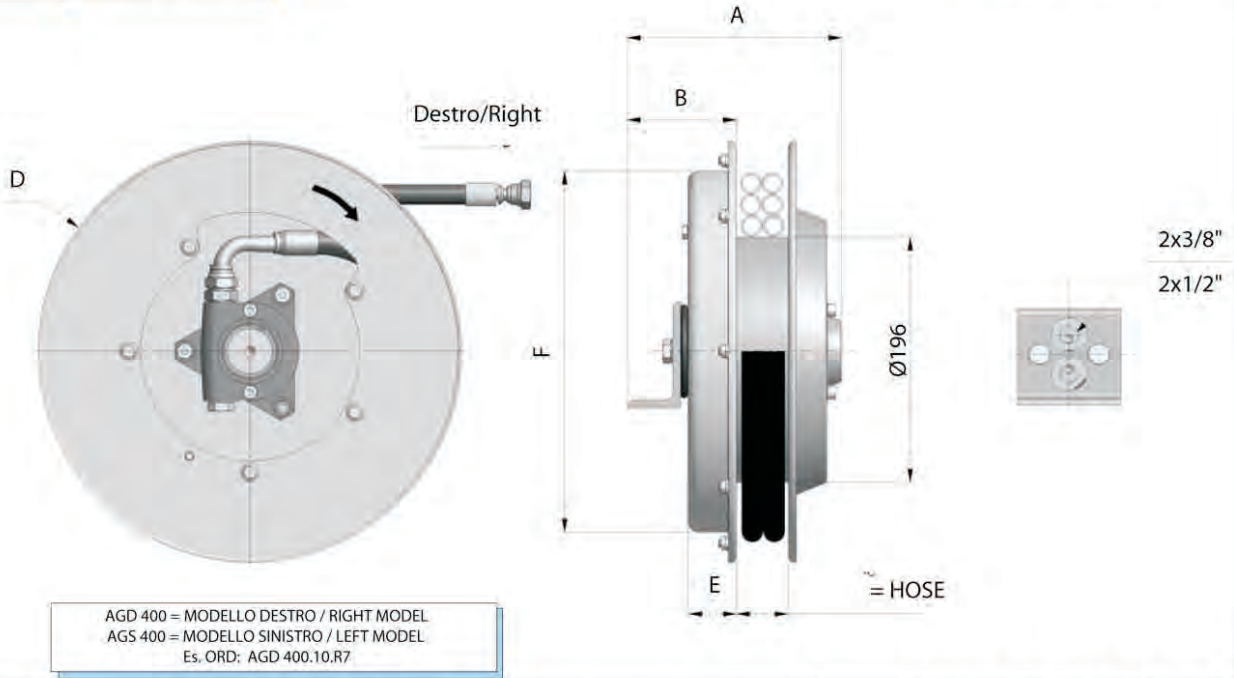


SUPPORTO A RICHIESTA
OPTIONAL SUPPORT UPON REQUEST

Ref./B Ex.: AGD 295.10.R7/ B

MAX
40 l/min

W. P. 300 bar
Option 400 bar

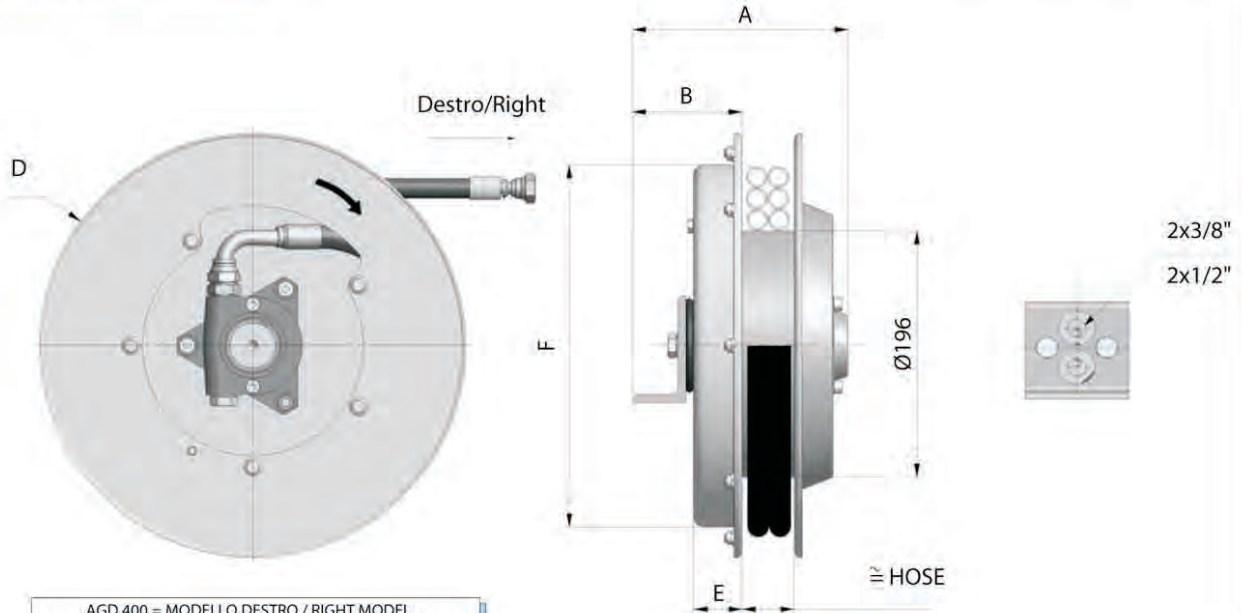


AGD 400 = MODELLO DESTRO / RIGHT MODEL
AGS 400 = MODELLO SINISTRO / LEFT MODEL
Es. ORD: AGD 400.10.R7

Modello destro Right model	A	B	D	E	F	Tubo/Hose R7 - R8 - B1 - B2		
						Ø	Lungh.totale	Lungh.utile
							Total length m	Usable length m
AGD296.06.X X	161	75	295	35	291	1/4"	3,0	2,7
AGD296.08.X X						5/16"	2,3	2,0
AGD296.10.X X						3/8"	2,3	2,0
AGD296.12.X X						1/2"	1,5	1,2
AGD321.06.X X	161	82	325	37	272	1/4"	4,0	3,7
AGD321.08.X X						5/16"	3,2	2,9
AGD321.10.X X						3/8"	3,3	3,0
AGD321.12.X X						1/2"	2,5	2,2
AGD341.06.X X	161	82	340	37	272	1/4"	5,0	4,7
AGD341.08.X X						5/16"	4,2	3,9
AGD341.10.X X						3/8"	4,0	3,7
AGD341.12.X X						1/2"	2,5	2,2
AGD370.06.X X	161	82	370	37	272	1/4"	6,0	5,7
AGD370.08.X X						5/16"	5,3	5,0
AGD370.10.X X						3/8"	4,5	4,2
AGD370.12.X X						1/2"	3,5	3,2
AGD400.06.X X	161	82	400	47	322	1/4"	7,3	7,0
AGD400.08.X X						5/16"	6,5	6,2
AGD400.10.X X						3/8"	5,6	5,3
AGD400.12.X X						1/2"	4,5	4,2
AGD420.06.X X	161	82	420	47	322	1/4"	8,6	8,1
AGD420.08.X X						5/16"	8,0	7,5
AGD420.10.X X						3/8"	6,7	6,2
AGD420.12.X X						1/2"	4,7	4,2
AGD470.06.X X	161	82	478	47	322	1/4"	11,5	11,0
AGD470.08.X X						5/16"	10,0	9,5
AGD470.10.X X						3/8"	9,5	9,0
AGD470.12.X X						1/2"	7,5	7,0

MAX
40 l/min

W. P. 300 bar
Option 400 bar

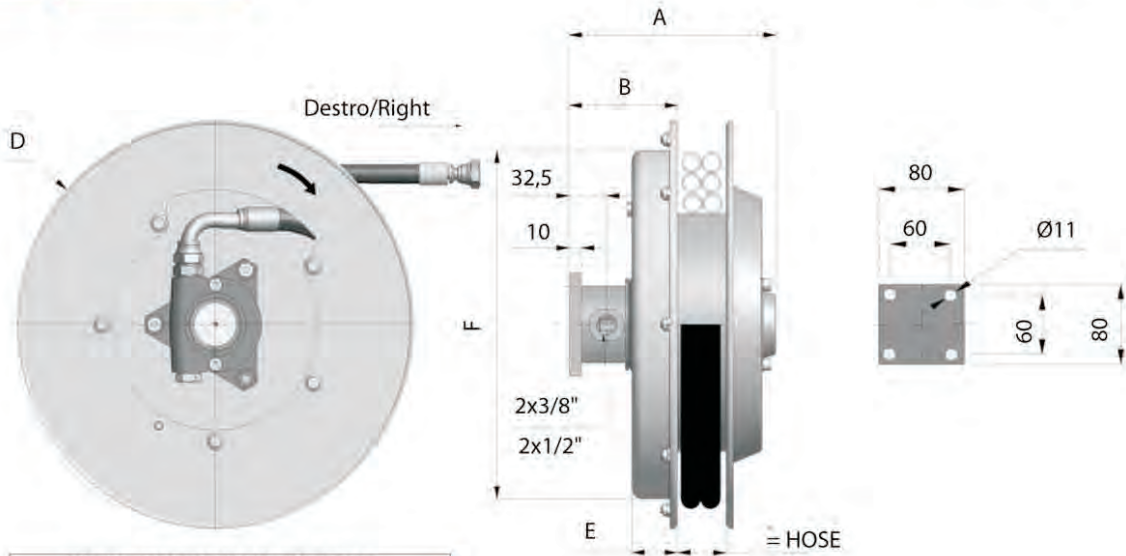


AGD 400 = MODELLO DESTRO / RIGHT MODEL
AGS 400 = MODELLO SINISTRO / LEFT MODEL
Es. ORD: AGD 400.10.R7

Modello destro Right model	A	B	D	E	F	Tubo/Hose		
						Ø	Lungh.totale Total length m	Lungh.utile Usable length m
AGD520.06.X X	171	92	520	47	322	1/4"	14,5	14,0
AGD520.08.X X					5/16"	12,5	12,0	
AGD520.10.X X					3/8"	11,2	10,7	
AGD520.12.X X					1/2"	9,0	8,5	
AGD570.06.X X	171	92	570	47	422	1/4"	17,5	17,0
AGD570.08.X X					5/16"	15,5	15,0	
AGD570.10.X X					3/8"	13,5	13,0	
AGD570.12.X X					1/2"	10,7	10,2	
AGD600.06.X X	171	92	620	47	422	1/4"	21,0	20,5
AGD600.08.X X					5/16"	17,0	16,5	
AGD600.10.X X					3/8"	16,0	15,5	
AGD600.12.X X					1/2"	12,5	12,0	
AGD650.06.X X	181	102	650	57	422	1/4"	22,5	22,0
AGD650.08.X X					5/16"	19,5	19,0	
AGD650.10.X X					3/8"	17,5	17,0	
AGD650.12.X X					1/2"	14,5	14,0	
AGD700.06.X X	181	102	720	57	532	1/4"	27,0	26,5
AGD700.08.X X					5/16"	22,0	21,5	
AGD700.10.X X					3/8"	20,0	19,5	
AGD700.12.X X					1/2"	16,0	15,5	
AGD800.08.X X	191	112	820	67	532	5/16"	30,0	29,0
AGD800.10.X X					3/8"	26,0	25,0	
AGD800.12.X X					1/2"	21,0	20,0	
AGD900.08.X X	201	122	920	67	532	5/16"	38,0	37,0
AGD900.10.X X					3/8"	34,0	33,0	
AGD900.12.X X					1/2"	28,0	27,0	
AGD1000.10.X X	226	122	1000	67	687	3/8"	36,0	35,0
AGD1000.12.X X					1/2"	35,0	34,0	

MAX
40 l/min

W. P. 300 bar
Option 400 bar

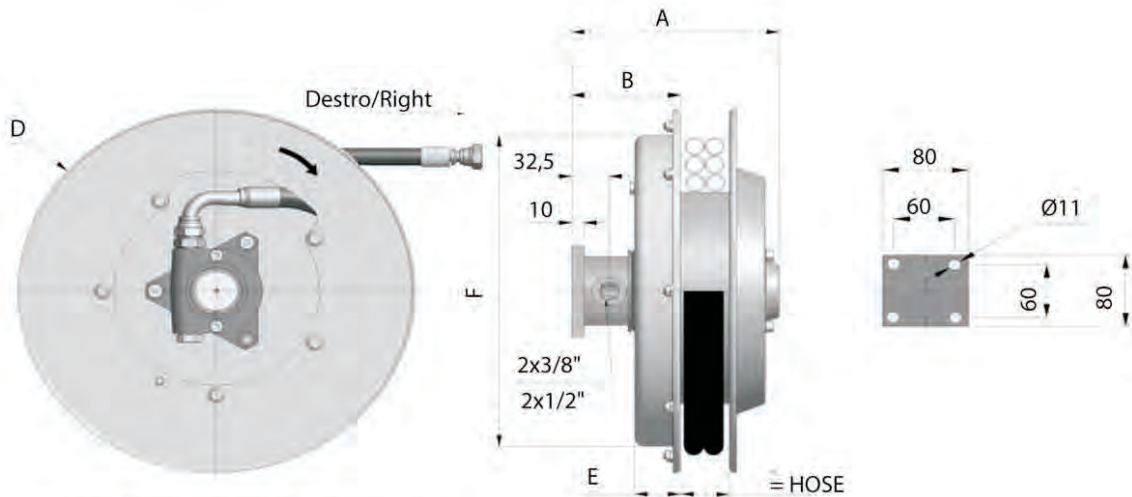


AGD 400 = MODELLO DESTRO / RIGHT MODEL
AGS 400 = MODELLO SINISTRO / LEFT MODEL
Es. ORD: AGD 400.10.R7/F

Modello destro Right model	A	B	D	E	F	Con tubo/With hose - R7 - R8 - B1 - B2		
						Ø	Lungh. totale Total length m	Lungh. utile Usable length m
AGD270.06.XX/F	166		275	30	270	1/4"	4,0	3,7
AGD270.08.XX/F						5/16"	3,2	2,9
AGD270.10.XX/F						3/8"	2,8	2,5
AGD296.06.XX/F	166	75	295	35	291	1/4"	3,0	2,7
AGD296.08.XX/F						5/16"	2,3	2,0
AGD296.10.XX/F						3/8"	2,3	2,0
AGD296.12.XX/F	212					1/2"	1,5	1,2
AGD321.06.XX/F	166	82	325	37	272	1/4"	4,0	3,7
AGD321.08.XX/F						5/16"	3,2	2,9
AGD321.10.XX/F						3/8"	3,3	3,0
AGD321.12.XX/F	212					1/2"	2,5	2,2
AGD341.06.XX/F	166	82	340	37	272	1/4"	5,0	4,7
AGD341.08.XX/F						5/16"	4,2	3,9
AGD341.10.XX/F						3/8"	4,0	3,7
AGD341.12.XX/F	212					1/2"	2,5	2,2
AGD370.06.XX/F	166	82	370	37	272	1/4"	6,0	5,7
AGD370.08.XX/F						5/16"	5,3	5,0
AGD370.10.XX/F						3/8"	4,5	4,2
AGD370.12.XX/F	212					1/2"	3,5	3,2
AGD400.06.XX/F	166	82	400	47	322	1/4"	7,3	7,0
AGD400.08.XX/F						5/16"	6,5	6,2
AGD400.10.XX/F						3/8"	5,6	5,3
AGD400.12.XX/F	212					1/2"	4,5	4,2
AGD420.06.XX/F	166	97	420	47	322	1/4"	8,6	8,1
AGD420.08.XX/F						5/16"	8,0	7,5
AGD420.10.XX/F						3/8"	6,7	6,2
AGD420.12.XX/F	212					1/2"	4,7	4,2
AGD470.06.XX/F	166	97	478	47	322	1/4"	11,5	11,0
AGD470.08.XX/F						5/16"	10,0	9,5
AGD470.10.XX/F						3/8"	9,5	9,0
AGD470.12.XX/F	212					1/2"	7,5	7,0

MAX
40 l/min

W. P. 300 bar
Option 400 bar



AGD 400 = MODELLO DESTRO / RIGHT MODEL
AGS 400 = MODELLO SINISTRO / LEFT MODEL
Es. ORD: AGD 400.10.R7/F

Modello destro Right model	A	B	D	E	F	Con tubo/With hose		
						Ø	Lungh. totale Total length m	Lungh. utile Usable length m
AGD520.06.XX/F	176	97	520	47	322	1/4"	14,5	14,0
AGD520.08.XX/F						5/16"	12,5	12,0
AGD520.10.XX/F						3/8"	11,2	10,7
AGD520.12.XX/F						1/2"	9,0	8,5
AGD570.06.XX/F	176	97	570	47	322	1/4"	17,5	17,0
AGD570.08.XX/F						5/16"	15,5	15,0
AGD570.10.XX/F						3/8"	13,5	13,0
AGD570.12.XX/F						1/2"	10,7	10,2
AGD600.06.XX/F	176	97	620	47	422	1/4"	21,0	20,5
AGD600.08.XX/F						5/16"	17,0	16,5
AGD600.10.XX/F						3/8"	16,0	15,5
AGD600.12.XX/F						1/2"	12,5	12,0
AGD650.06.XX/F	176	97	650	47	422	1/4"	22,5	22,0
AGD650.08.XX/F						5/16"	19,5	19,0
AGD650.10.XX/F						3/8"	17,5	17,0
AGD650.12.XX/F						1/2"	14,5	14,0
AGD700.06.XX/F	176	97	720	47	532	1/4"	27,0	26,5
AGD700.08.XX/F						5/16"	22,0	21,5
AGD700.10.XX/F						3/8"	20,0	19,5
AGD700.12.XX/F						1/2"	16,0	15,5
AGD800.08.XX/F	186	107	820	57	532	5/16"	30,0	29,0
AGD800.10.XX/F						3/8"	26,0	25,0
AGD800.12.XX/F						1/2"	21,0	20,0

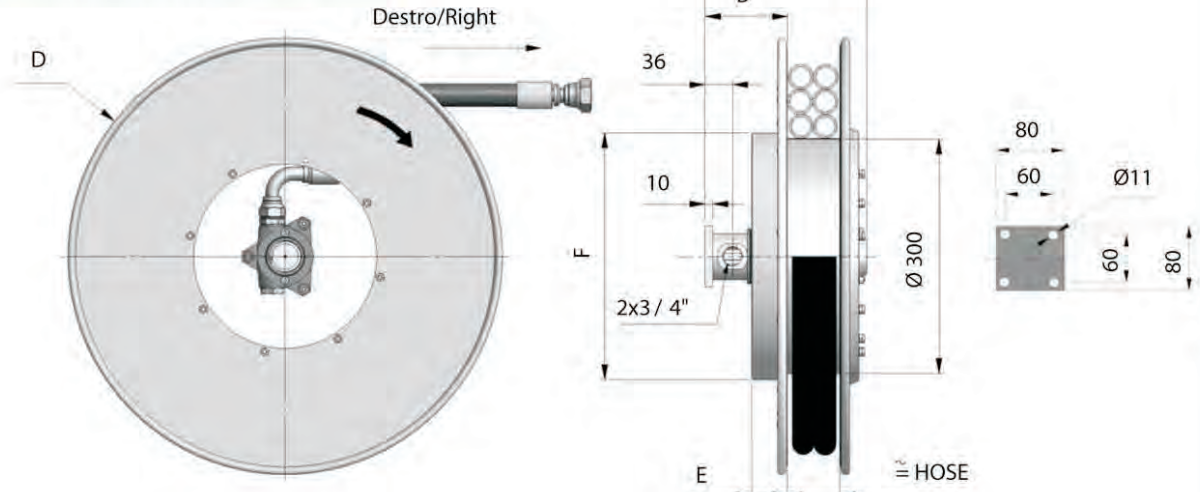
MAX
80 l/min

W. P.
350 bar

MAX HOSE SPEED
30 m/min



AGD470 = MODELLO DESTRO / RIGHT MODEL
AGS470 = MODELLO SINISTRO / LEFT MODEL
Es. ORD. AGD470.19.12.B2

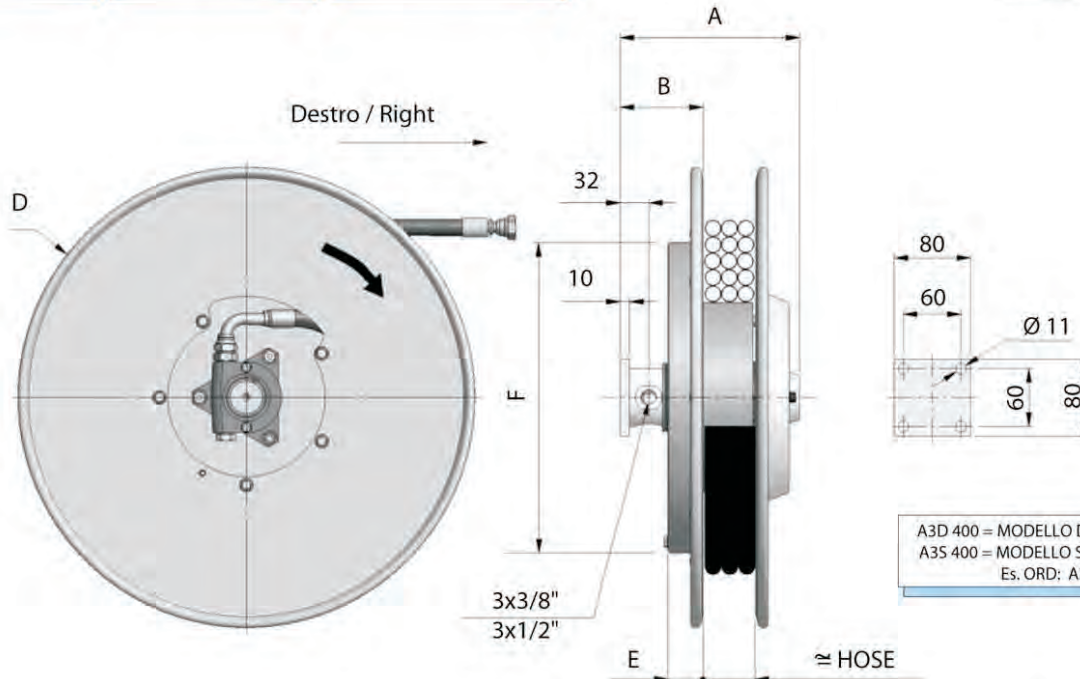


Modello destro Right model	A	B	D	E	F	Ø	Con tubo - with hose B1		Con tubo - with hose B2-B3	
							Lungh.totale Total length m	Lungh.utile Usable length m	Lungh.totale Total length m	Lungh.utile Usable length m
AGD420.19.12.XX						1/2"	3,5	3,0	3,5	3,0
AGD420.19.16.XX	212	108	420	47	322	5/8"	-	-	2,6	2,1
AGD420.19.19.XX						3/4"	-	-	2,6	2,1
AGD470.19.12.XX						1/2"	5,0	4,5	5,0	4,5
AGD470.19.16.XX	212	108	478	47	322	5/8"	-	-	4,0	3,5
AGD470.19.19.XX						3/4"	-	-	4,0	3,5
AGD520.19.12.XX						1/2"	8,0	7,5	6,8	6,3
AGD520.19.16.XX	212	108	520	47	422	5/8"	-	-	5,4	4,9
AGD520.19.19.XX						3/4"	-	-	5,4	4,9
AGD570.19.12.XX						1/2"	10,0	9,5	8,5	8,0
AGD570.19.16.XX	222	108	570	47	422	5/8"	-	-	7,0	6,5
AGD570.19.19.XX						3/4"	-	-	7,0	6,5
AGD600.19.12.XX						1/2"	12,0	11,5	12,0	11,5
AGD600.19.16.XX	232	128	620	57	422	5/8"	-	-	8,8	8,3
AGD600.19.19.XX						3/4"	-	-	7,5	7,0
AGD650.19.12.XX						1/2"	13,0	12,5	-	-
AGD650.19.16.XX	242	138	650	67		5/8"	-	-	10,0	9,5
AGD650.19.19.XX						3/4"	-	-	9,0	8,5
AGD700.19.12.XX						1/2"	18,0	17,5	16,4	15,9
AGD700.19.16.XX	242	138	720	67	532	5/8"	-	-	13,0	12,5
AGD700.19.19.XX						3/4"	-	-	11,5	11,0
AGD800.19.12.XX						1/2"	25,0	24,0	21,0	20,0
AGD800.19.16.XX	242	138	820	67	532	5/8"	-	-	17,5	16,5
AGD800.19.19.XX						3/4"	-	-	16,0	15,0
AGD900.19.12.XX						1/2"	30,0	29,0	29,0	28,0
AGD900.19.16.XX	242	138	920	67	532	5/8"	-	-	23,0	22,0
AGD900.19.19.XX						3/4"	-	-	21,0	20,0

MAX
40 l/min

W. P. 300 bar
Option 400 bar

MAX HOSE SPEED
30 m/min



A3D 400 = MODELLO DESTRO / RIGHT MODEL
A3S 400 = MODELLO SINISTRO / LEFT MODEL
Es. ORD: A3D320.10.R7

Modello destro Right model	A	B	D	E	F	Con tubo - with hose R7 - R8 - B3		
						Ø	Lungh.totale	Lungh.utile
							Total length	Usable length
mm						m		
A3D295.06.XX	185	87	295	37	272	1/4"	3,0	2,7
A3D295.08.XX						5/16"	2,3	2,0
A3D295.10.XX						3/8"	2,3	2,0
A3D295.12.XX						1/2"	1,5	1,2
A3D320.06.XX	185	87	325	37	272	1/4"	4,0	3,7
A3D320.08.XX						5/16"	3,2	2,9
A3D320.10.XX						3/8"	3,3	3,0
A3D320.12.XX						1/2"	2,5	2,2
A3D340.06.XX	185	87	340	37	272	1/4"	5,0	4,7
A3D340.08.XX						5/16"	4,2	3,9
A3D340.10.XX						3/8"	4,0	3,7
A3D340.12.XX						1/2"	2,5	2,2
A3D370.06.XX	185	87	370	37	272	1/4"	6,0	5,7
A3D370.08.XX						5/16"	5,3	5,0
A3D370.10.XX						3/8"	4,5	4,2
A3D370.12.XX						1/2"	3,5	3,2
A3D400.06.XX	185	87	400	47	272	1/4"	7,3	7,0
A3D400.08.XX						5/16"	6,5	6,2
A3D400.10.XX						3/8"	5,6	5,3
A3D400.12.XX						1/2"	4,5	4,2
A3D420.06.XX	185	87	420	47	322	1/4"	8,6	8,1
A3D420.08.XX						5/16"	8,0	7,5
A3D420.10.XX						3/8"	6,7	6,2
A3D420.12.XX						1/2"	4,7	4,2