

Part number:

HYDROMA

HYDRAULICKÉ SYSTÉMY

**HIDROMA
SYSTEMS**

UKŁADY HYDRAULICZNE

HYDROMA

ГИДРАВЛИЧЕСКИЕ СИСТЕМЫ

DIRECTIONAL CONTROL VALVES

SPOOL 3-WAY 2-POSITION HYDRAULIC AUTOMATIC SWITCHING VALVES

VDP-32

OD.71.01.51 - Z

DESCRIPTION - OPERATION

A spool style valve designed to automatically reverse oil flow direction to a single acting cylinder, once the setting pressure on the P line has been reached.

FEATURES - RATINGS

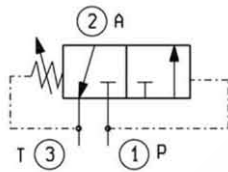
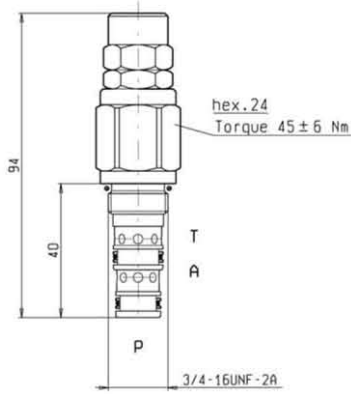
Maximum Operating Pressure

315 bar

Rated Flow

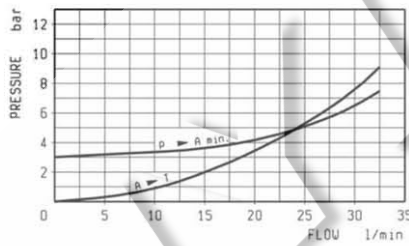
30 l/min

- Cavity - Tooling (page 7.01.11) : 051-E
- Weight : 0.195 kg
- Fluids - Temperatures - Testing Conditions - Seals : see page 7.01.04
- Filtration : 25 µm nominal or better, see page 7.01.05
- Mounting Position : unrestricted
- Pressure settings different from standard have to be specified when ordering

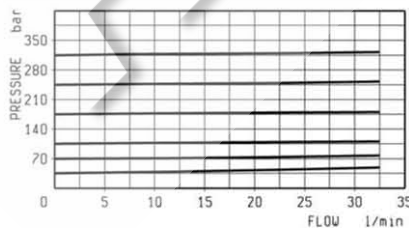


Z	SWITCHING PRESSURE	
	Adj. pressure range	Standard setting
01	3 - 25	5
02	20 - 60	35
04	70 - 100	90

PRESSURE DROP

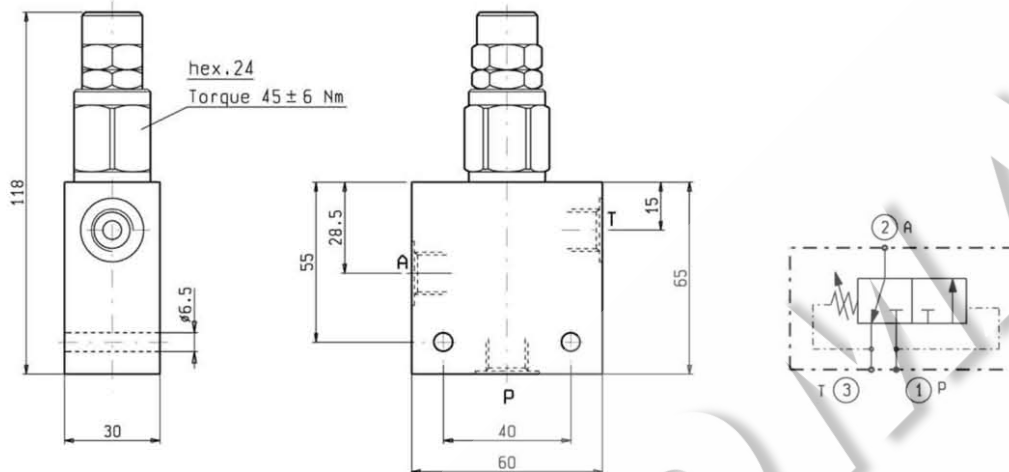


PRESSURE DROP



DIRECTIONAL CONTROL VALVES
HYDRAULIC AUTOMATIC SWITCHING VALVES IN MANIFOLD

VDP-C-32



FEATURES - RATINGS

Maximum Operating Pressure 250 bar

Rated Flow 30 l/min

- See cartridge data sheets for curves, features and functional details
- Standard manifolds in high strength aluminum TA-7020. To order manifold only see page 6.01.11

ORDERING CODE AND OPTIONS

OE.71.01 - Y - Z

Z	SWITCHING PRESSURE	
	Adj. pressure range	Standard setting
01	3 - 25	5
02	20 - 60	35
04	70 - 100	90

Y	Port Size
02	G 3/8
09	G 1/4