

Part number:



41 250/103 ED



MDD44

SOLENOID OPERATED DIRECTIONAL CONTROL VALVE DIRECT CURRENT - SERIES 50 ALTERNATING CURRENT - SERIES 55

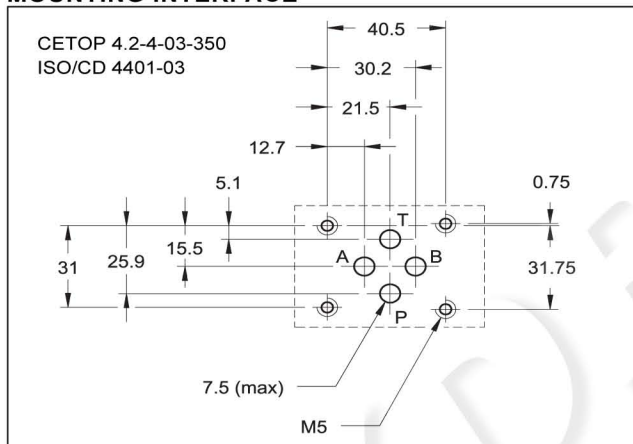
MODULAR VERSION

CETOP 03

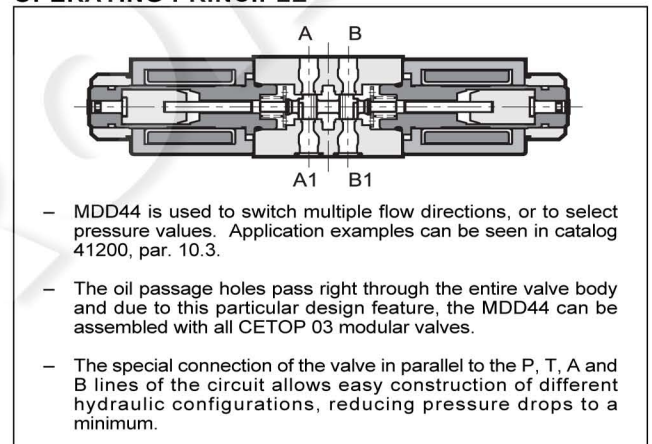
p max 350 bar

Q max 50 l/min

MOUNTING INTERFACE



OPERATING PRINCIPLE



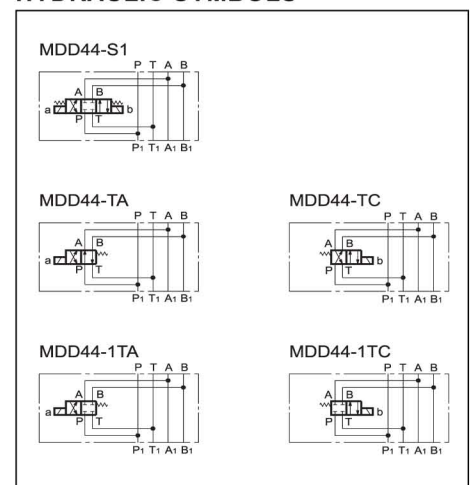
VALVE CONFIGURATIONS (see Hydraulic symbols table)

- Type "S": a 4-double way, 3-position, 2-solenoid directional valve; positioning of the spool at rest is obtained with centering springs.
- Type "TA/TC": a 4-double way, 2-position, one solenoid directional valve; positioning of the spool at rest is obtained with a return spring.

PERFORMANCE RATINGS (working with mineral oil of viscosity of 36 cSt at 50°C)

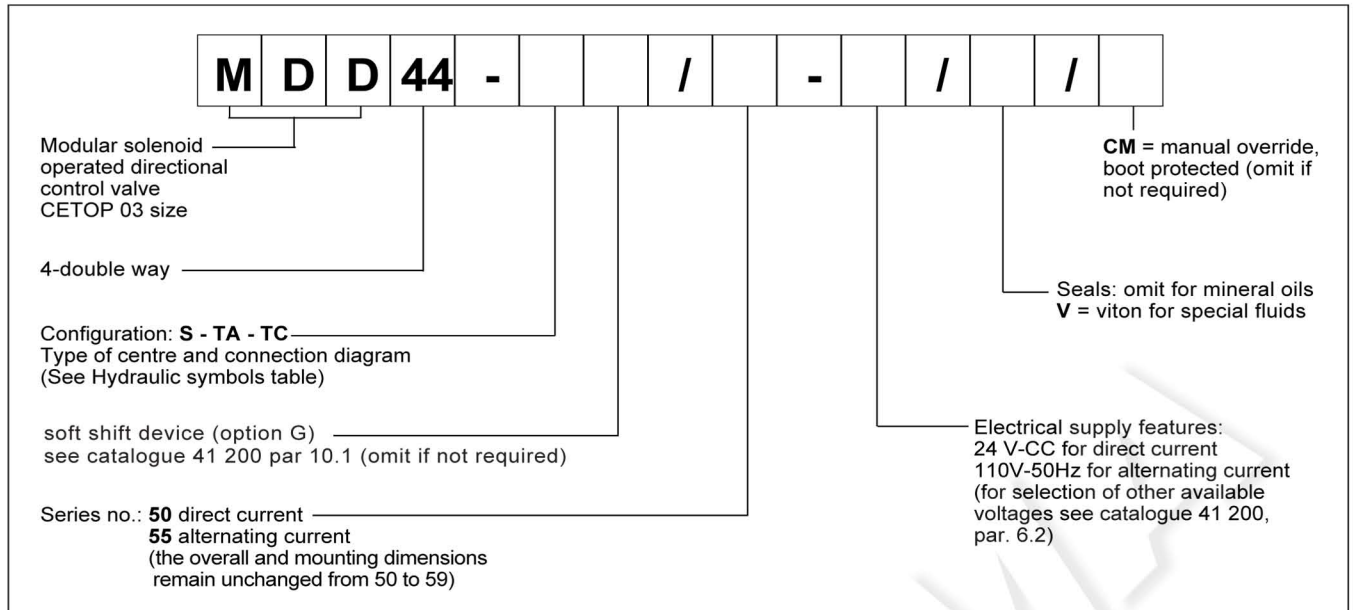
Maximum operating pressures:	- ports P A B	bar	350
	- port T (DC)	bar	210
	- port T (AC)	bar	140
Maximum flow rate:	- ports P A B T	l/min	50
Ambient temperature range		°C	-20 ÷ +50
Fluid temperature range		°C	-20 ÷ +80
Fluid viscosity range		cSt	10 ÷ 400
Recommended viscosity		cSt	25
Degree of fluid contamination		according to NAS 1638 class 10	
Mass:	MDD44-S	kg	2,0
	MDD44-TA/TC	kg	1,5

HYDRAULIC SYMBOLS



Operating limits (see catalog 41200, par. 5): the indicated values must be reduced by 30%.

1 - IDENTIFICATION CODE



NOTE: The solenoid valves are never supplied with connector. Connectors must be ordered separately. For the identification of the connector type to be ordered, please see catalogue 49 000.

2 - OVERALL AND MOUNTING DIMENSIONS

