

Part number:

**076-11123**

**HYDROMA**

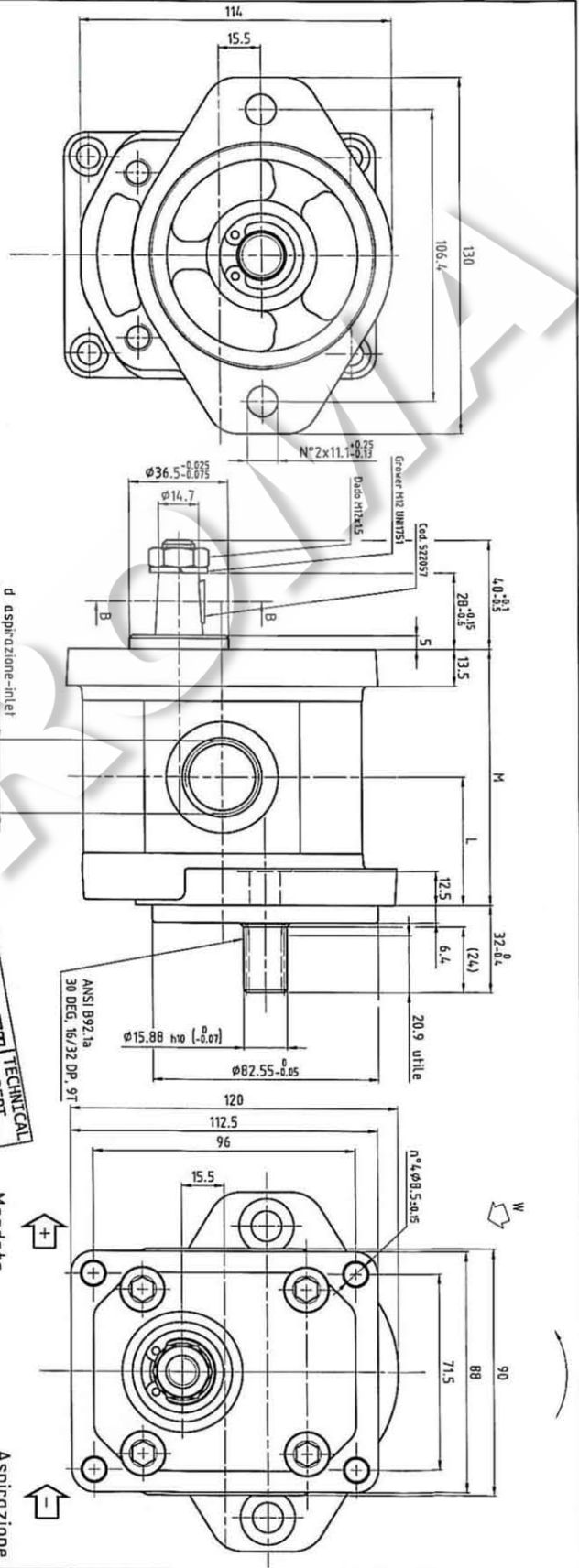
HYDRAULICKÉ SYSTÉMY

**HIDROMA  
SISTEMS**

UKŁADY HYDRAULICZNE

**HYDROMA**

ГИДРАВЛИЧЕСКИЕ СИСТЕМЫ



SEZ. B-B

MARCATURA POMPA  
CORPO. LATO "W"

MARZORCHI  
DESCRIZIONE  
DATA  
MATRICOLA

**MARZORCHI**  
**FOR APPROVAL**  
TECHNICAL DEPT.  
COMPANY STAMP - SIGNATURE AND DATE REQUIRED FOR APPROVAL

Checkwise	Destra	Codice	Anticlockwise	Codice	Displacement [cm <sup>3</sup> /rev]	M [mm]	L [mm]	d	D	Pressioni Massime Max Pressure P1 [bar]	P2 [bar]	P3 [bar]
Typo	Tipologia	Anticlockwise	Tipologia	Anticlockwise								
	GHP2A-D-6-S1-FG-P459A		GHP2A-S-6-S1-FG-P459A		4,5	91	45,5	G1/2	G1/2	280	290	310
	GHP2A-D-9-S1-FG-P459A		GHP2A-S-9-S1-FG-P459A		6,4	94	47	G1/2	G1/2	280	290	310
	GHP2A-D-10-S1-FG-P459A		GHP2A-S-10-S1-FG-P459A		7,0	95	47,5	G1/2	G1/2	280	290	310
	GHP2A-D-13-S1-FG-P459A		GHP2A-S-13-S1-FG-P459A		9,6	99	49,5	G1/2	G1/2	280	290	310
	GHP2A-D-16-S1-FG-P459A		GHP2A-S-16-S1-FG-P459A		11,5	102	51	G1/2	G1/2	280	290	310
	GHP2A-D-20-S1-FG-P459A		GHP2A-S-20-S1-FG-P459A		14,1	106	53	G3/4	G1/2	260	270	290
	GHP2A-D-22-S1-FG-P459A		GHP2A-S-22-S1-FG-P459A		16,0	109	54,5	G3/4	G1/2	260	270	290
	GHP2A-D-25-S1-FG-P459A		GHP2A-S-25-S1-FG-P459A		17,9	112	56	G3/4	G1/2	260	270	290
	GHP2A-D-30-S1-FG-P459A		GHP2A-S-30-S1-FG-P459A		21,1	117	58,5	G3/4	G1/2	230	240	280
	GHP2A-D-34-S1-FG-P459A		GHP2A-S-34-S1-FG-P459A		23,7	121	60,5	G3/4	G1/2	230	240	280
	GHP2A-D-40-S1-FG-P459A		GHP2A-S-40-S1-FG-P459A		28,2	128	64	G3/4	G1/2	230	240	280
	GHP2A-D-50-S1-FG-P459A		GHP2A-S-50-S1-FG-P459A		34,4	139	69,5	G3/4	G1/2	160	180	190

La pompa rappresentata ha rotazione destra  
The pump represented has clockwise rotation  
In caso di rotazione sinistra le porte di  
Mandata e Aspirazione si invertono  
In case of anticlockwise rotation the Outlet  
and Inlet ports are swapped

MATERIAL: ...  
SCALE: 1:1  
DATE: ...  
APPROVED: ...  
DRAWN: ...  
CHECKED: ...  
DATE: ...