

Part number:

HYDROMA
HYDRAULICKÉ SYSTÉMY

HIDROMA
SISTEMS
UKŁADY HYDRAULICZNE

HYDROMA
ГИДРАВЛИЧЕСКИЕ СИСТЕМЫ

Electric Drives
and Controls

Hydraulics

Linear Motion and
Assembly Technologies

Pneumatics

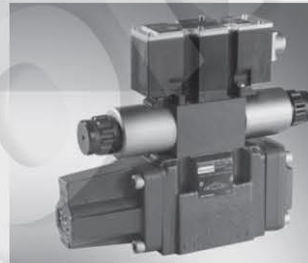
Service

4/2, 4/3, and 5/2, 5/3 proportional directional valve, pilot operated, without electrical position feedback without/with integrated electronics (OBE)

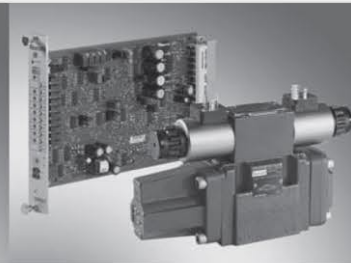
RE 29115/08.13
Replaces: 10.05

Type .WRZ..., .WRZE... and .WRH...

Sizes 10 to 52
Component series 7X
Maximum operating pressure 350 bar
Maximum flow 2800 l/min



Type 4WRZE 10 ...-7X/...K31/...
with integrated electronics (OBE)



Type 4WRZ 10 ...-7X/...K4/...
with the corresponding control
electronics (separate order)

Table of contents

Contents	Page
Features	1
Ordering codes, control spool symbols	2 ... 5
Symbols	6
Function, section	7 ... 10
Technical data	11, 12
Electrical connection	13
Block diagram of the integrated electronics (OBE) for type 4WRZE	14
Characteristic curves	15 ... 20
Dimensions	21 ... 26
Accessories	27

Features

- Pilot operated, 2-stage proportional directional valve with integrated electronics (OBE) with type 4WRZE
- Control of flow direction and size
- Operation by means of proportional solenoids with central thread and detachable coil
- For subplate mounting:
Porting pattern according to ISO 4401
- Manual override, optional
- Spring-centered control spool
- Control electronics
 - Type .WRZE...
 - Integrated electronics (OBE) with voltage or current input (A1 and/or F1)
 - Type .WRZ...
 - Digital or analog amplifier in Euro-card format
 - Analog amplifier in modular design



For further details, see the plain text

M = NBR seals

V = FKM seals

no code = Without pressure reducing valve

D3 ¹⁾ = With pressure reducing valve ZDR 6 DP0-4X/40YM-W80 (not adjustable)

A1 = **Electronics interface**
Command value ± 10 V

F1 = Command value 4 to 20 mA

no code = For types WRZ and WRH

Electrical connection type WRZ:

Without mating connector, with connector according to DIN EN 175301-803

Mating connector, separate order, see page 27

Type WRZE:

Without mating connector, with connector according to DIN EN 175201-804

Mating connector, separate order, see page 27

¹⁾ Not applicable with types 4WRH

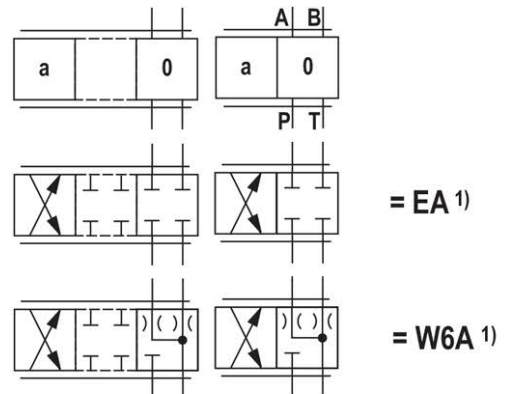
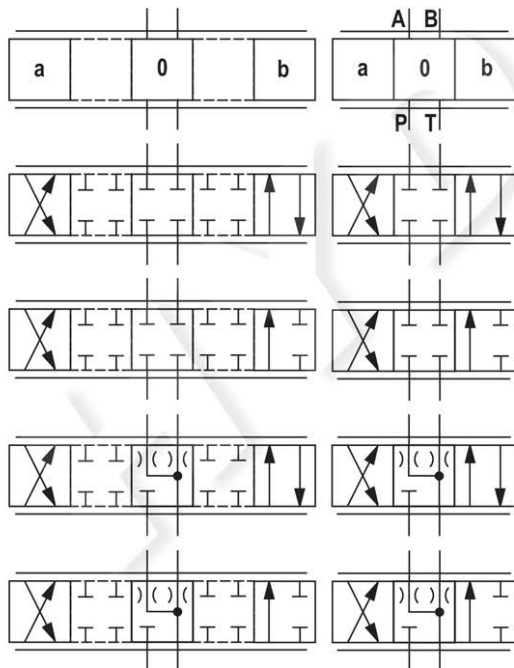
²⁾ For version "J" → "N" instead of "N9"

³⁾ For information on the seawater-resistant version, see data sheet 29115-M

⁴⁾ For version "J" = seawater-resistant **only** "K31"

Electric special types of protection available on request.

Control spool symbols



¹⁾ Not for type 4WRH

With symbols E1- and W8-: P → A: q_V B → T: $q_V/2$

P → B: $q_V/2$ A → T: q_V

With symbols E3- and W9-: P → A: q_V B → T: Blocked

P → B: $q_V/2$ A → T: q_V

(differential circuit, piston top at port A)

Notice: With symbols W6-, W8-, W9-, W6A, there is a connection from A → T and B → T with less than 2% of the respective nominal cross-section in switching position "0".

Ordering codes (types 4WRZ 52 and 4WRH 52; subplate mounting)

5WR_		52		1000	7X/												*
Hydraulic actuation	= H																
Electro-hydraulic actuation	= Z																
Type WRZ:																	
For external electronics	= no code																
With integrated electronics	= E																
Size 52	= 52																
For control spool symbols , see page 5																	
Rated flow in l/min at valve pressure differential $\Delta p = 10$ bar																	
1000 l/min	= 1000																
Component series 70 to 79																	
(70 to 79: Unchanged installation and connection dimensions)	= 7X																
Pilot control valve size 6																	
Proportional solenoid with detachable coil	= 6E ¹⁾																
Supply voltage																	
Direct voltage 24 V	= G24 ¹⁾																
Without manual override	= no code																
With concealed manual override	= N9 ^{1, 2)}																
Without special type of protection	= no code																
Seawater-resistant	= J ³⁾																
Electrical connection type WRZ:																	
Without mating connector, with connector according to DIN EN 175301-803	= K4 ^{1, 4)}																
Mating connector, separate order, see page 27																	
Type WRZE:																	
Without mating connector, with connector according to DIN EN 175201-804	= K31 ^{1, 4)}																
Mating connector, separate order, see page 27																	
Electronics interface																	
Command value ± 10 V	= A1																
Command value 4 to 20 mA	= F1																
For types WRZ and WRH	= no code																
Without pressure reducing valve	= no code																
With pressure reducing valve ZDR 6 DP0-4X/40YM-W80 (not adjustable)	= D3 ¹⁾																
NBR seals	= M																
FKM seals	= V																
For further details, see the plain text																	

¹⁾ Not applicable with types 4WRH

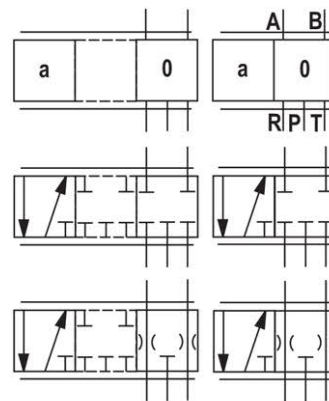
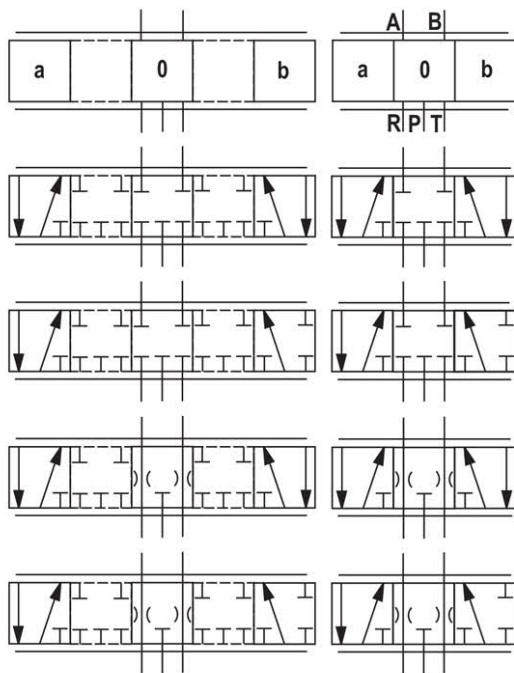
²⁾ For version "J" → "N" instead of "N9"

³⁾ For information on the seawater-resistant version, see data sheet 29115-M

⁴⁾ For version "J" = seawater-resistant **only** "K31"

Electric special types of protection available on request.

Control spool symbols



= E
E1-

= E3-

= W6-
W8-

= W9-

= EA 1)

= W6A 1)

1) Not for type 4WRH

With symbols E1- and W8-: P → A: q_V B → T: $q_V/2$

P → B: $q_V/2$ A → R: q_V

With symbols E3- and W9-: P → A: q_V B → T: Blocked

P → B: $q_V/2$ A → R: q_V

(differential circuit, piston top at port A)

Notice:

- Only external pilot oil supply and return possible
- With control spool W6-, W8-, W9-, W6A, there is a connection from A → R and B → T with less than 2% of the respective nominal cross-section in switching position "0".

Function, section

Pilot control valve type 3DREP 6...

The pilot control valve is a 3-way pressure reducing valve that is actuated by a proportional solenoid. It converts an electrical input signal into a proportional pressure output signal and is used for all valves of the type 4WRZ... and 5WRZ...

The proportional solenoids are controllable, wet-pin DC solenoids with a central thread and a detachable coil. The solenoids are controlled by external electronics (type .WRZ...).

Set-up:

The valve basically consists of:

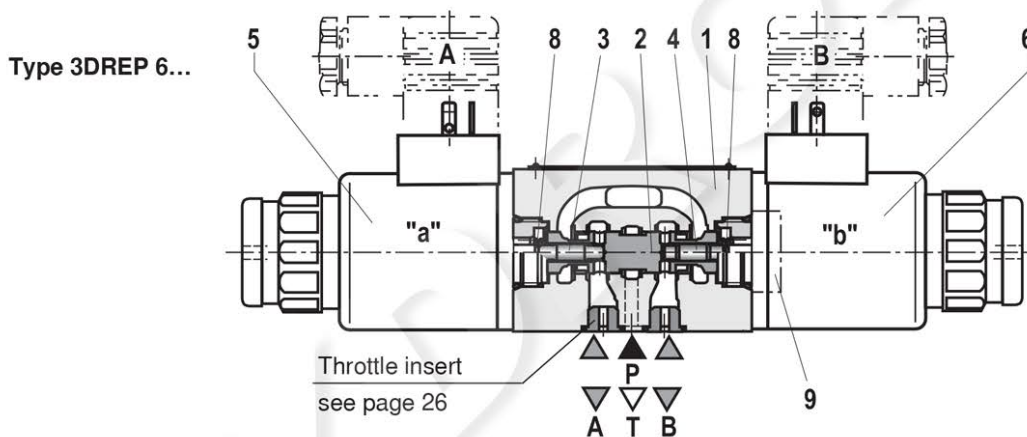
- Housing (1)
- Control spool (2) with pressure measuring spool (3 and 4)
- Solenoids (5 and 6) with central threads

Function:

The pressure in A or B is set by means of the proportional solenoids. The amount of the pressure depends on the current. With de-energized solenoids (5, 6), the control spool (2) is held in the central position by means of the pressure springs (8). Ports A and B are connected with T so that the hydraulic fluid can flow to the tank without obstructions.

By energizing a proportional solenoid, e.g. solenoid "a" (5), the pressure measuring spool (3) and with it the control spool (2) are moved to the right. This opens the connection from P to B and A to T via orifice-type cross-sections with progressive flow characteristic. With the surface of the pressure measuring spool (4) the pressure that builds up in channel B acts on the control spool and against the solenoid force. The pressure measuring spool (4) is supported by solenoid "b". If the pressure exceeds the value set at solenoid "a", the control spool (2) is pushed back against the solenoid force and connects B with T until the set pressure is reached again. The pressure is proportional to the solenoid current.

When the solenoid is switched off, the control spool (2) is returned into the central position by the compression springs (8).



Pilot control valve with two switching positions (type 3DREP 6...B...)

The operation of this valve version basically corresponds to the valve with 3 switching positions. However, this 2 spool position valve is only equipped with solenoid "a" (5). In the place of the second proportional solenoid there is a plug screw (9).

Information on type 3DREP 6:

Prevent the tank line from draining. If this is possible due to installation conditions, install a preload valve (with a preload pressure of approx. 2 bar).

Function, section

Pilot control valve type 3DREPE 6...

The pilot control valve is a 3-way pressure reducing valve that is actuated by a proportional solenoid. It converts an electrical input signal into a proportional pressure output signal and is used for all valves of the type 4WRZE... and 5WRZE...

The proportional solenoids are controllable, wet-pin DC solenoids with a central thread and a detachable coil. The solenoids are controlled by the integrated electronics (type .WRZE...).

Set-up:

The valve basically consists of:

- Housing (1)
- Control spool (2) with pressure measuring spool (3 and 4)
- Solenoids (5 and 6) with central threads
- Integrated electronics (7)

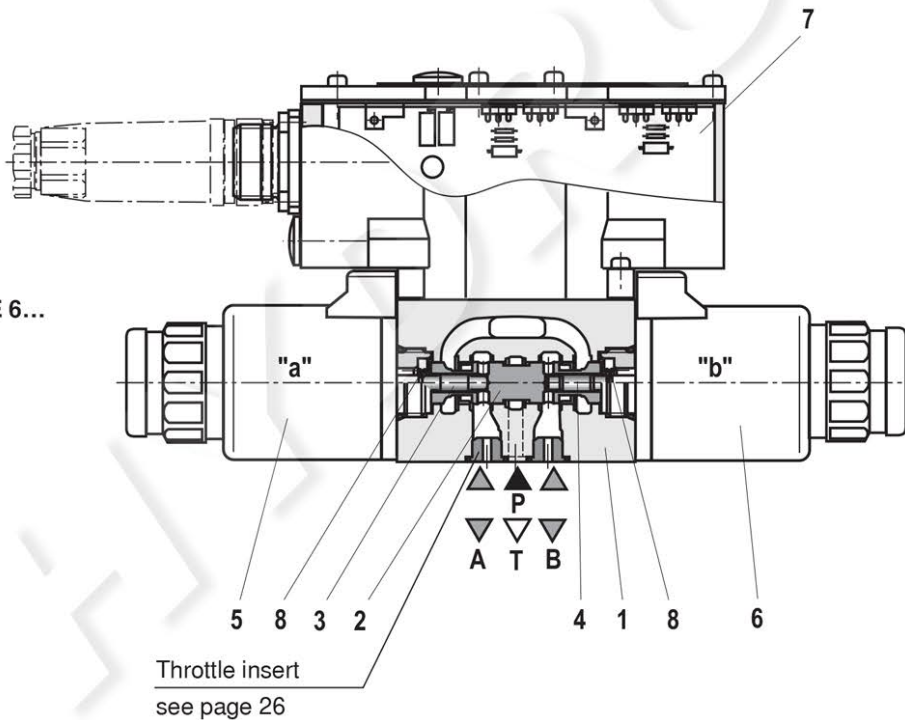
Function:

The pressure in A or B is set by means of the proportional solenoids. The amount of the pressure depends on the current. With de-energized solenoids (5, 6), the control spool (2) is held in the central position by means of the pressure springs (8). Ports A and B are connected with T so that the hydraulic fluid can flow to the tank without obstructions.

By energizing a proportional solenoid, e.g. solenoid "a" (5), the pressure measuring spool (3) and with it the control spool (2) are moved to the right. This opens the connection from P to B and A to T via orifice-type cross-sections with progressive flow characteristic. With the surface of the pressure measuring spool (4) the pressure that builds up in channel B acts on the control spool and against the solenoid force. The pressure measuring spool (4) is supported by solenoid "b". If the pressure exceeds the value set at solenoid "a", the control spool (2) is pushed back against the solenoid force and connects B with T until the set pressure is reached again. The pressure is proportional to the solenoid current.

When the solenoid is switched off, the control spool (2) is returned into the central position by the compression springs (8).

Type 3DREPE 6...



Function, section

Pilot operated proportional directional valves Types 4WRZ... and 5WRZ.52...

Valves of type 4WRZ... are pilot operated 4-way directional valves that are actuated by proportional solenoids. They control the flow direction and size.

Valves of type 5WRZ... are equipped with an additional port "R" (only size 52).

Set-up:

The valve basically consists of:

- Pilot control valve (9) with proportional solenoids (5 and 6)
- Main valve (10) with main control spool (11) and centering spring (12)

Notice!

Due to the design principle, internal leakage is inherent to the valves, which may increase over the life cycle.

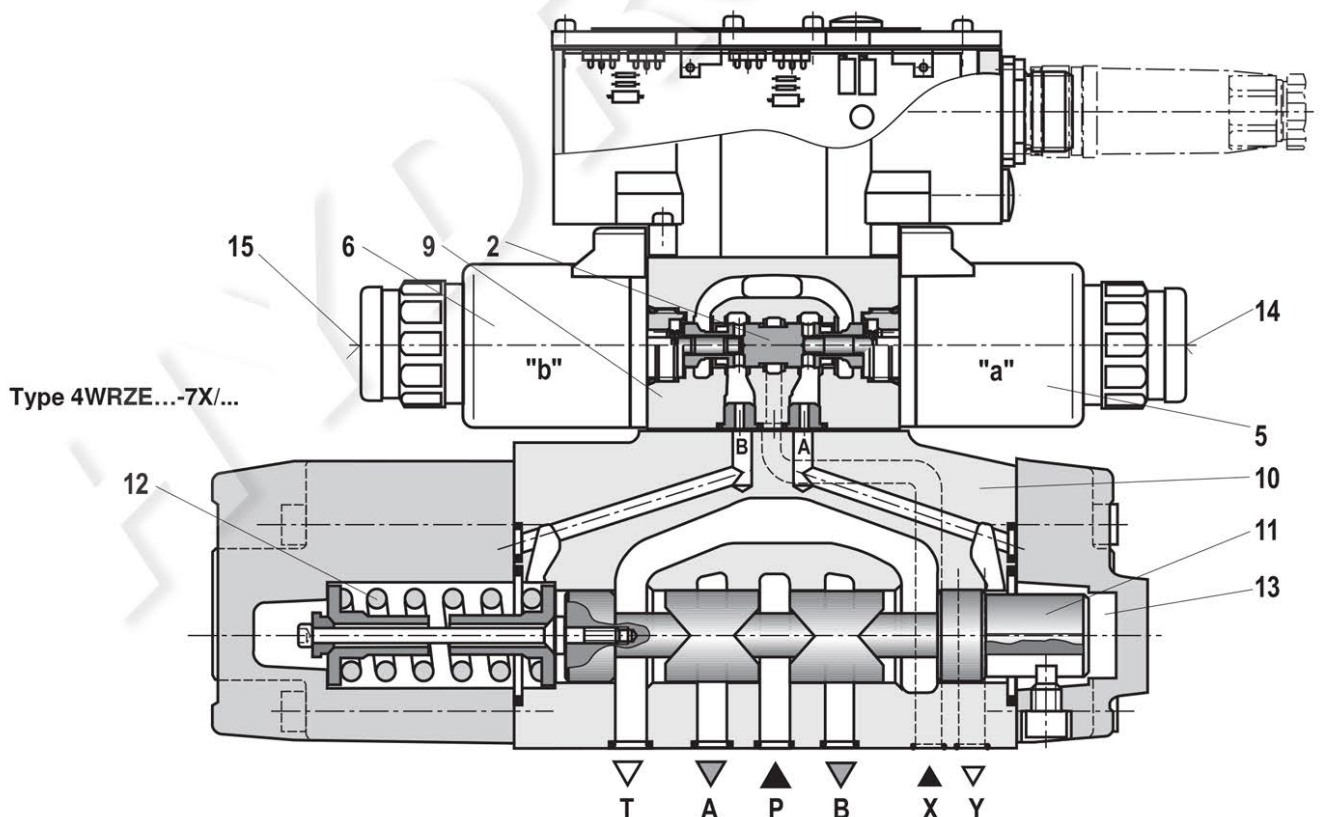
Function:

- With de-energized solenoids (5, 6), the main control spool (11) is held in the central position by means of the centering spring (12).
- The main control spool (11) is controlled by the pilot control valve (9); the main control spool is proportionally moved, e.g. by actuating solenoid "b" (6).
 - The control spool (2) is moved to the right, pilot oil enters the pressure chamber (13) via the pilot control valve (9) and deflects the main control spool (11) according to the electric input signal.
 - This opens the connection from P to B and A to T via orifice-type cross-sections with progressive flow characteristic.
- Pilot oil is internally supplied to the pilot control valve via port P or externally via port X.
- Switching the solenoid off (6)
 - The control spool (2) and main control spool (11) are moved back into the central position.
- Depending on the switching position, flow occurs from P to A and B to T or P to B and A to T (R).

An optional manual override (14 and 15) can be used to move the control spool (2) without solenoid energization.

Notice:

Inadvertent activation of the manual override may result in uncontrollable machine movements.



Function, section

Externally pilot operated proportional directional valves Types 4WRH... and 5WRH.52...

Valves of the type .WRH... are pilot operated proportional directional valves for external actuation via pressure control valves.

Set-up:

The valve basically consists of:

- Main valve (10) with main control spool (11) and centering spring (12)
- Diversion plate (16)

Notice!

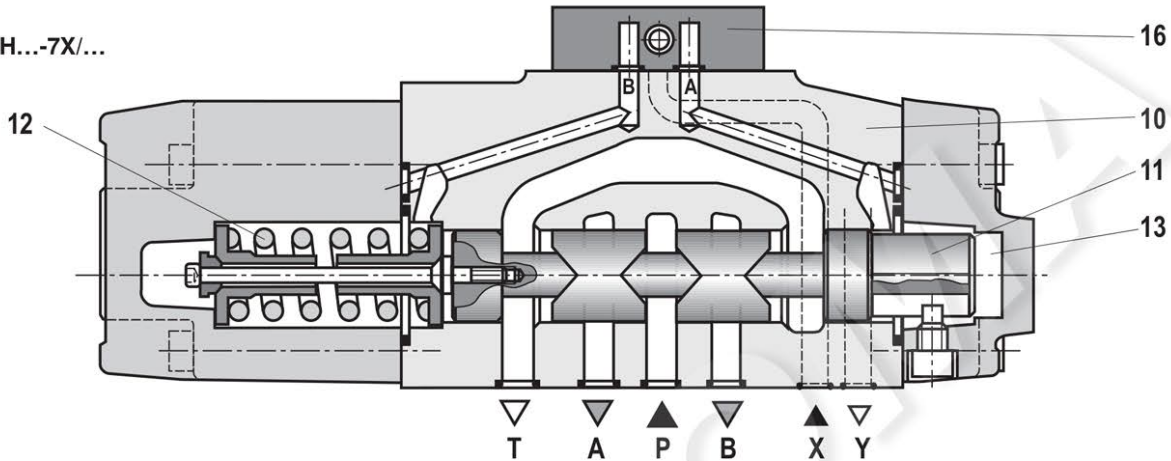
Due to the design principle, internal leakage is inherent to the valves, which may increase over the life cycle.

Function:

- The diversion plate (16) connects control port A that leads to the pressure chamber (13) with port Y and control port B with port X.
- If port X is pressurized, the main control spool (11) is moved to the right (P to B and A to T). If port Y is pressurized, the main control spool is moved to the left (P to A and B to T).

The pilot pressure at the main valve must not exceed 25 bar (16 bar with size 52)!

Type .WRH...-7X/...



Technical data (for applications outside these parameters, please consult us!)

general


Valve type		.WRZ	.WRZE	.WRH		
Installation position		Any, preferably horizontal (for commissioning information, see data sheet 07800)				
Storage temperature range	°C	-20 to +80				
Ambient temperature range	°C	-20 to +70	-20 to +50	-20 to +70		
Weight	- Subplate mounting	Size 10	kg	7.8	8.0	6.1
		Size 16	kg	11.9	12.1	9.7
		Size 25	kg	18.2	18.4	18.0
		Size 32	kg	42.2	42.2	41.5
		Size 52	kg	79.5	79.7	
	- Flange connection	Size 52	kg	77.5	77.7	
	- With "D3"	kg	+0.5 in addition			
Sine test according to DIN EN 60068-2-6:2008		10 cycles, 10...2000...10 Hz with logarithmic frequency changing speed of 1 oct./min., 5 to 57 Hz, amplitude 1.5 mm (p-p), 57 to 2000 Hz, amplitude 10 g, 3 axes				
Random test according to DIN EN 60068-2-64:2009		20...2000 Hz, amplitude 0.05 g ² /Hz (10 g _{RMS}) 3 axes, 30 min testing time per axis				
Shock test according to DIN EN 60068-2-27:2010		Half sine 15 g/11 ms, 3 times in positive/3 times in negative direction per axis, 3 axes				
Humid heat, cyclic according to DIN EN 60068-2-30:2006		Variant 2 +25 °C to +55 °C, 90% to 97% relative humidity, 2 cycles at 24 hours each				

Technical data (for applications outside these parameters, please consult us!)

hydraulic (measured with HLP46, $\dot{v}_{oil} = 40 \text{ }^\circ\text{C} \pm 5 \text{ }^\circ\text{C}$ and $p = 100 \text{ bar}$)

Size	Size	10	16	25	32	52	
Operating pressure							
– Pilot control valve	External pilot oil supply	30 to 100					20 to 100
	Internal pilot oil supply						-
	bar	100 to 315 only with "D3"	100 to 350 only with "D3"				
– Main valve	bar	Up to 315	Up to 350	Up to 350	Up to 350	Up to 350	
Return flow pressure	– Port T (port R) (external pilot oil return)	bar	Up to 315	Up to 250	Up to 250	Up to 150	Up to 250
	– Port T (internal pilot oil return)	bar	Up to 30	Up to 30	Up to 30	Up to 30	-
	– Port Y	bar	Up to 30	Up to 30	Up to 30	Up to 30	Up to 30
Flow of the main valve	l/min	Up to 170	Up to 460	Up to 870	Up to 1600	Up to 2800	
Pilot flow at ports X and Y with stepped input signal 0 → 100%	l/min	3.5	5.5	7	15.9	7	
Pilot volume for switching process 0 → 100%	cm ³	1.7	4.6	10	26.5	54.3	
Hydraulic fluid		See table below					
Hydraulic fluid temperature range (at the valve working ports)	°C	-20 to +80 (preferably +40 to +50)					
Viscosity range	mm ² /s	20 to 380 (preferably 30 to 46)					
Maximum admissible degree of contamination of the hydraulic fluid, cleanliness class according to ISO 4406 (c)							
	– Pilot control valve	Class 18/16/13 ¹⁾					
	– Main valve	Class 20/18/15 ¹⁾					
Hysteresis	%	≤ 6					

¹⁾ The cleanliness classes specified for the components must be adhered to in hydraulic systems. Effective filtration prevents faults and at the same time increases the life cycle of the components.
For the selection of the filters, see www.boschrexroth.com/filter

Hydraulic fluid	Classification	Suitable sealing materials	Standards
Mineral oils and related hydrocarbons	HL, HLP	NBR, FKM	DIN 51524
Flame-resistant – containing water	HFC (Fuchs HYDROTHERM 46M, Petrofer Ultra Safe 620)	NBR	ISO 12922
<p> Important information on hydraulic fluids!</p> <ul style="list-style-type: none"> – For more information and data on the use of other hydraulic fluids refer to data sheet 90220 or contact us! – There may be limitations regarding the technical valve data (temperature, pressure range, life cycle, maintenance intervals, etc.)! – The flash point of the process and operating medium used must be 40 K greater than the maximum solenoid surface temperature. <ul style="list-style-type: none"> – Flame-resistant – containing water: The maximum pressure differential per control edge is 175 bar. Pressure pre-loading at the tank port > 20% of the pressure differential; otherwise, increased cavitation. – Life cycle as compared to operation with mineral oil HL, HLP 50% to 100% 			

Technical data (for applications outside these parameters, please consult us!)

electric			.WRZ ¹⁾	.WRZE
Valve type				
Voltage type			Direct voltage	
Command value overlap	%		15	
Maximum current	A		1.5	2.5
Solenoid coil resistance	– Cold value at 20 °C	Ω	4.8	2
	– Maximum hot value	Ω	7.2	3
Duty cycle	%		100	
Maximum coil temperature ³⁾	°C		150	
Protection class of the valve according to EN 60529			IP65 with mating connectors mounted and locked	

Control electronics

Type 4WRZ	Digital amplifier in Euro-card format ²⁾		VT-VSPD-1-2X/... according to data sheet 30523	
	Analog amplifier in Euro-card format ²⁾ with 1 ramp time		VT-VSPA2-1-2X/V0/T1, according to data sheet 30110	
	Analog amplifier in Euro-card format ²⁾ with 5 ramp times		VT-VSPA2-1-2X/V0/T5, according to data sheet 30110	
	Analog module amplifier ²⁾		VT-11118-1X/... according to data sheet 30218	
Type 4WRZE			Integrated in the valve, see page 14	
	Analog command value module ²⁾		VT-SWMA-1-1X/... according to data sheet 29902	
	Analog command value module ²⁾		VT-SWMAK-1-1X/... according to data sheet 29903	
	Digital command value card ²⁾		VT-HACD-1-1X/... according to data sheet 30143	
	Analog command value card ²⁾		VT-SWKA-1-1X/... according to data sheet 30255	
Current consumption	I_{max}	A	–	1.8
	– Impulse current	A	–	3
Command value signal	– Voltage input "A1"	V	–	±10
	– Current input "F1"	mA	–	4 to 20

¹⁾ With Bosch Rexroth AG control electronics

²⁾ Separate order

³⁾ Due to the temperatures occurring at the surfaces of the solenoid coils, the European standards ISO 13732-1 and EN 982 need to be adhered to.

Electrical connection

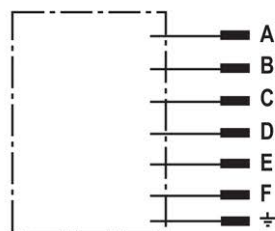
For type .WRZ... (for external electronics – **not** with version "J" = seawater-resistant)

For mating connectors, see page 27



For type .WRZ... (for external electronics – with version "J" = seawater-resistant)

For mating connectors, see page 27



External electronics

Contact	Connection with
A	Solenoid A
B	Solenoid B
C	Solenoid A
D	Solenoid B
E	n.c.
F	n.c.
PE	Valve housing

For type .WRZE... (with integrated electronics (OBE) and with version "J" = seawater-resistant)

For mating connectors, see page 27

Connector pin assignment	Contact	Signal with A1	Signal at F1
Supply voltage	A	24 VDC ($u(t) = 19.4$ to 35 V); $I_{\max} = 2$ A	
	B	0 V	
Reference (actual value)	C	Cannot be used ¹⁾	
Differential amplifier input (Command value)	D	± 10 V; $R_e > 50$ k Ω	4 to 20 mA; $R_e > 100$ Ω
	E	Command value reference potential	
	F	Cannot be used ¹⁾	
Protective grounding conductor	PE	Connected to cooling element and valve housing	

¹⁾ Contacts C and F must not be connected!

Command value: A positive command value (0 to 10 V or 12 to 20 mA) at D and a reference potential at E result in a flow from P to A and B to T.

A negative command value (0 to -10 V or 12 to 4 mA) at D and a reference potential at E result in a flow from P to B and A to T.

If the valve and the solenoid are on side "a" (control spool variants EA and W6A), a positive command value at D and a reference potential at E result in flow from P to B and A to T.

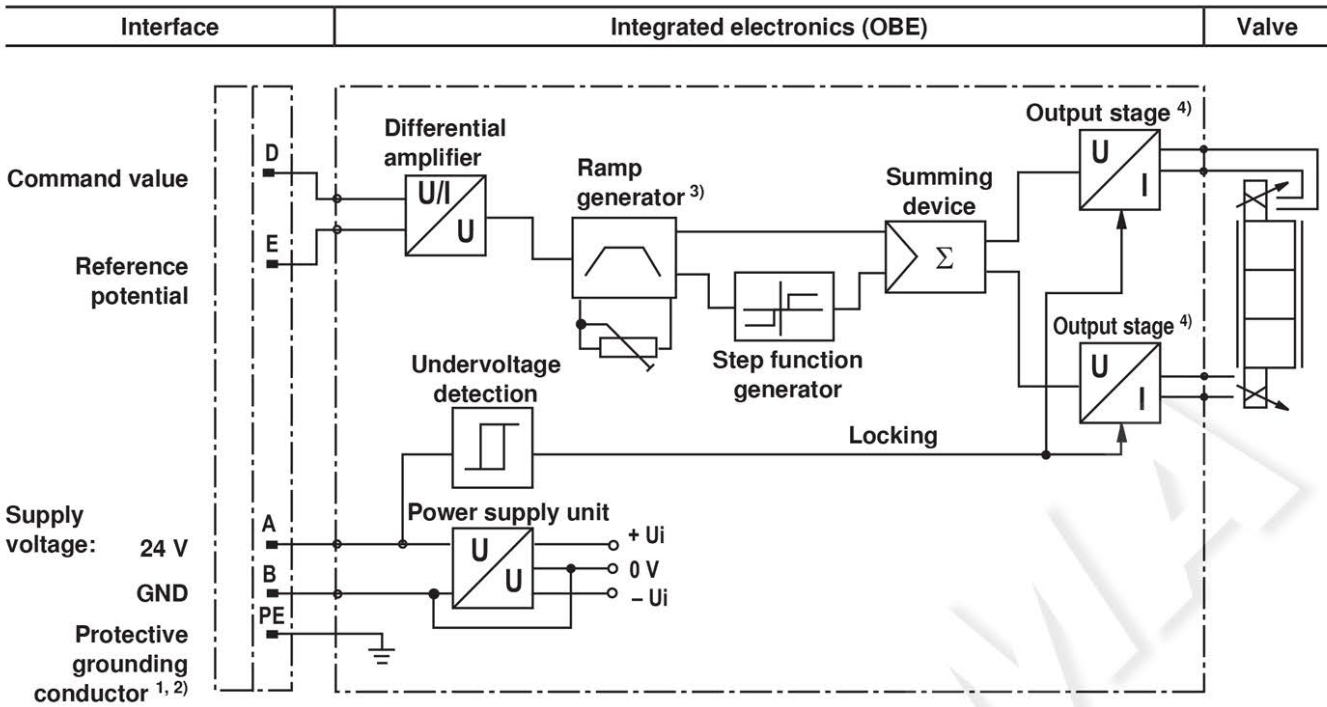
Connection cable: Recommendation: – Up to 25 m cable length, type LiYCY 5 x 0.75 mm²

– Up to 50 m 25 m cable length, type LiYCY 5 x 1.0 mm²

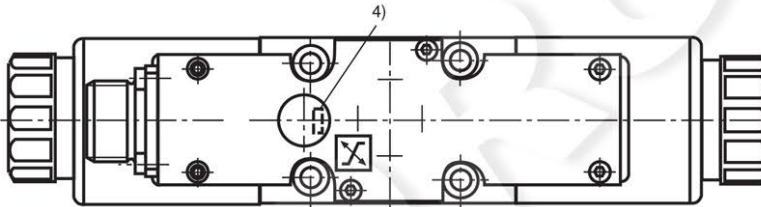
External diameter 6.5 to 11 mm

Only install the shield on the supply side on the protective grounding conductor.

Block diagram of the integrated electronics (OBE) for type WRZE

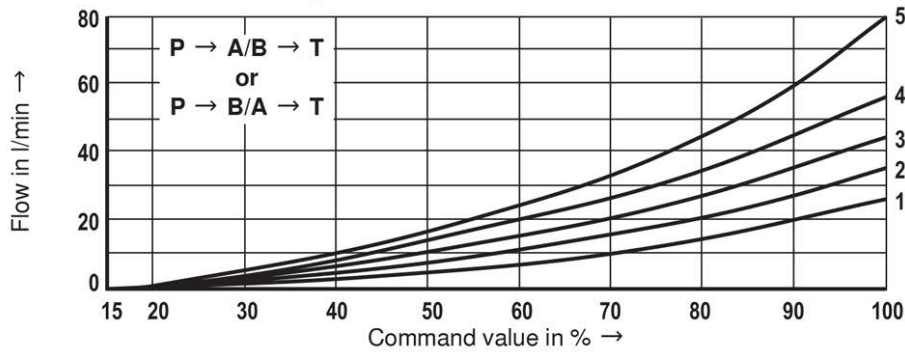


- 1) Port PE is connected to the cooling element and the valve housing
- 2) The protective grounding conductor is screwed to the valve housing and cover
- 3) Ramp can be set from 0 to 2.5 s from the outside, identical for T_{up} and T_{down}
- 4) The output stages are current-controlled



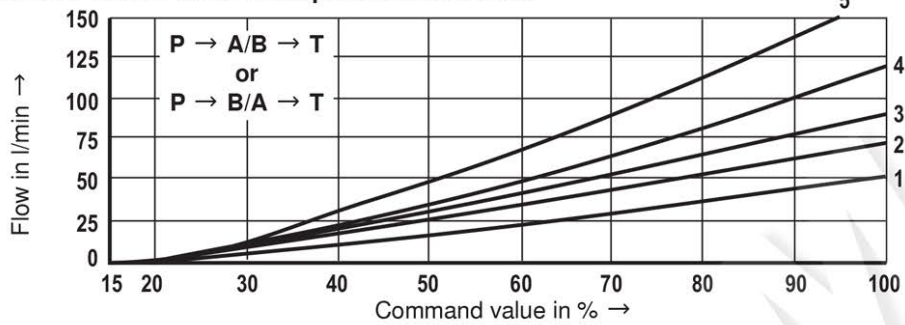
Characteristic curves size 10 (control spool "E, W6-, EA, W6A" as well as HLP46, $\vartheta_{oil} = 40 \text{ }^\circ\text{C} \pm 5 \text{ }^\circ\text{C}$ and $p = 100 \text{ bar}$)

25 l/min rated flow at 10 bar valve pressure differential



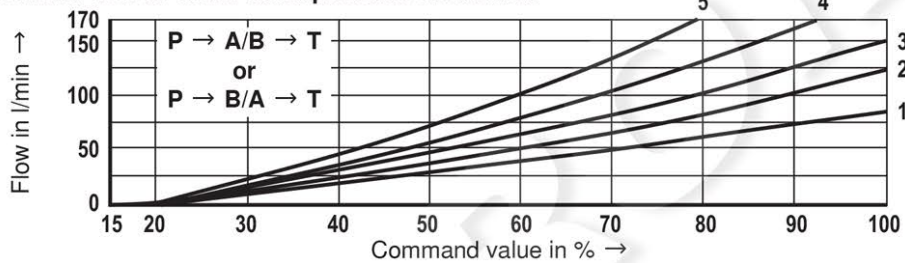
- 1 $\Delta p = 10 \text{ bar, constant}$
- 2 $\Delta p = 20 \text{ bar, constant}$
- 3 $\Delta p = 30 \text{ bar, constant}$
- 4 $\Delta p = 50 \text{ bar, constant}$
- 5 $\Delta p = 100 \text{ bar, constant}$

50 l/min rated flow at 10 bar valve pressure differential



- 1 $\Delta p = 10 \text{ bar, constant}$
- 2 $\Delta p = 20 \text{ bar, constant}$
- 3 $\Delta p = 30 \text{ bar, constant}$
- 4 $\Delta p = 50 \text{ bar, constant}$
- 5 $\Delta p = 100 \text{ bar, constant}$

85 l/min rated flow at 10 bar valve pressure differential

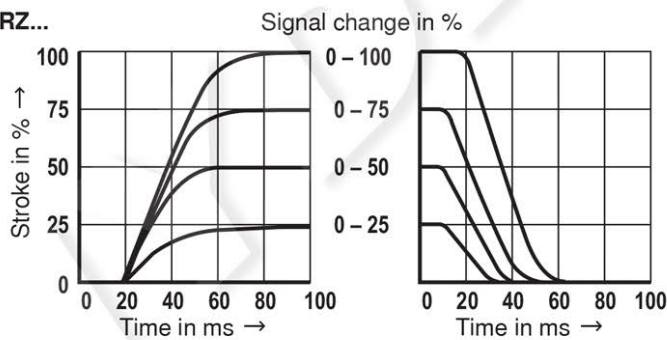


- 1 $\Delta p = 10 \text{ bar, constant}$
- 2 $\Delta p = 20 \text{ bar, constant}$
- 3 $\Delta p = 30 \text{ bar, constant}$
- 4 $\Delta p = 50 \text{ bar, constant}$
- 5 $\Delta p = 100 \text{ bar, constant}$

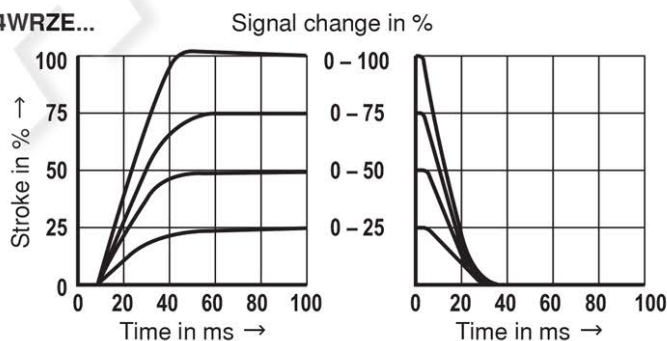
Δp = valve pressure differential according to DIN 24311 (inlet pressure p_p minus load pressure p_L minus return flow pressure p_T)

Transition functions with stepped, electric input signals, measured at $p_{St} = 50 \text{ bar}$

Type 4WRZ...

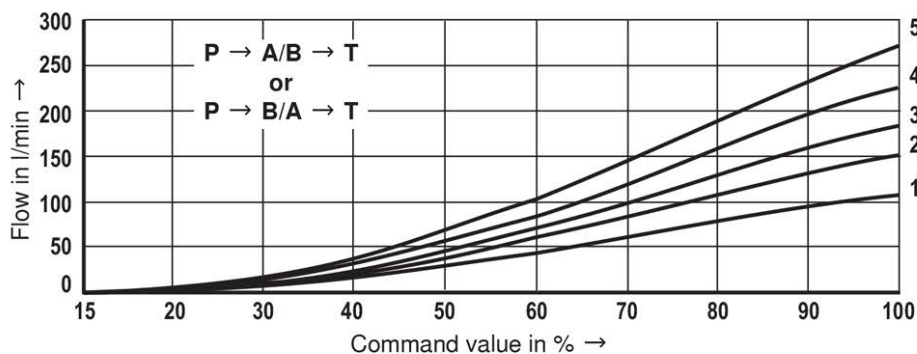


Type 4WRZE...



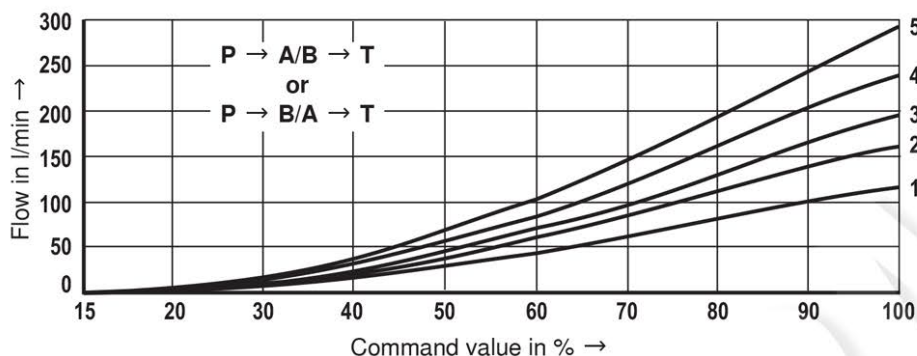
Characteristic curves size 16 (control spool "E, W6-, EA, W6A" as well as HLP46, $\vartheta_{oil} = 40 \text{ }^\circ\text{C} \pm 5 \text{ }^\circ\text{C}$ and $p = 100 \text{ bar}$)

100 l/min rated flow at 10 bar valve pressure differential



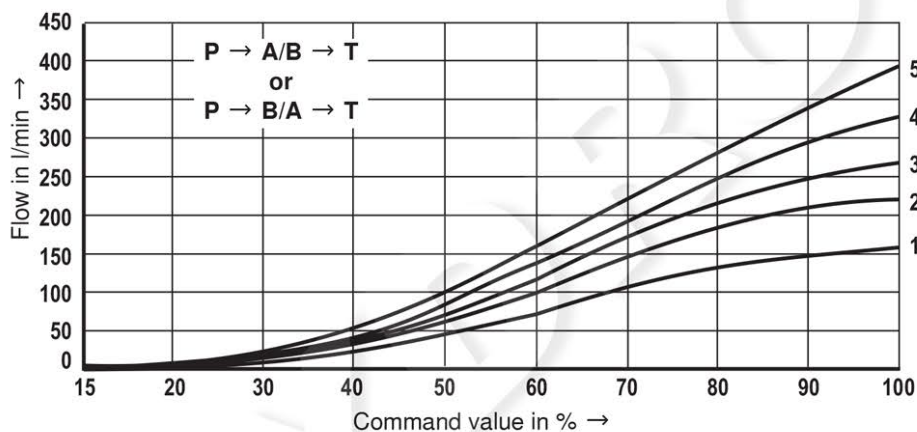
- 1 $\Delta p = 10 \text{ bar, constant}$
- 2 $\Delta p = 20 \text{ bar, constant}$
- 3 $\Delta p = 30 \text{ bar, constant}$
- 4 $\Delta p = 50 \text{ bar, constant}$
- 5 $\Delta p = 100 \text{ bar, constant}$

125 l/min rated flow at 10 bar valve pressure differential



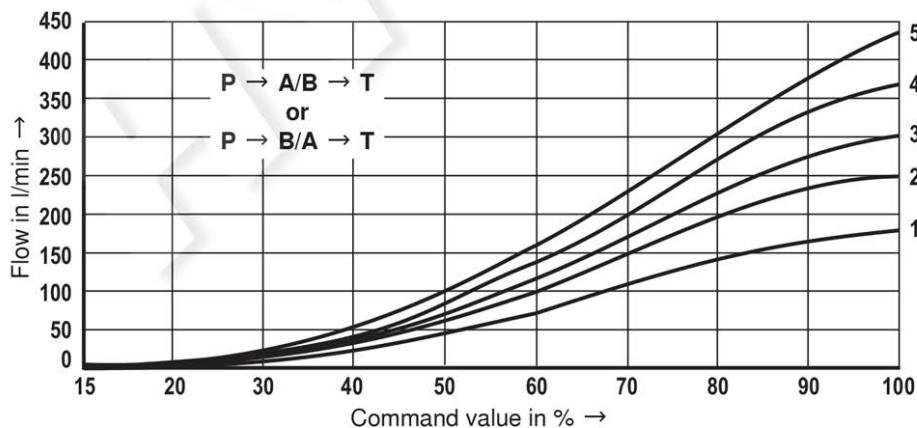
- 1 $\Delta p = 10 \text{ bar, constant}$
- 2 $\Delta p = 20 \text{ bar, constant}$
- 3 $\Delta p = 30 \text{ bar, constant}$
- 4 $\Delta p = 50 \text{ bar, constant}$
- 5 $\Delta p = 100 \text{ bar, constant}$

150 l/min rated flow at 10 bar valve pressure differential



- 1 $\Delta p = 10 \text{ bar, constant}$
- 2 $\Delta p = 20 \text{ bar, constant}$
- 3 $\Delta p = 30 \text{ bar, constant}$
- 4 $\Delta p = 50 \text{ bar, constant}$
- 5 $\Delta p = 100 \text{ bar, constant}$

180 l/min rated flow at 10 bar valve pressure differential



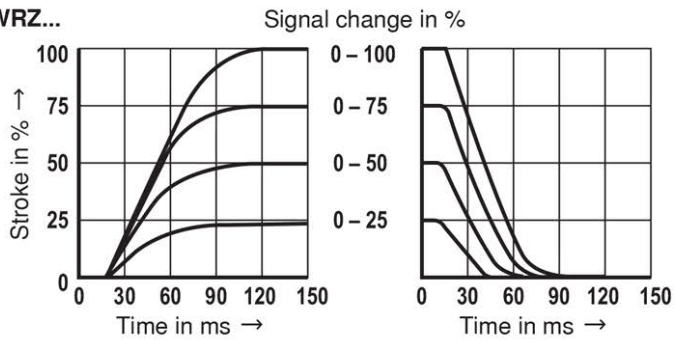
- 1 $\Delta p = 10 \text{ bar, constant}$
- 2 $\Delta p = 20 \text{ bar, constant}$
- 3 $\Delta p = 30 \text{ bar, constant}$
- 4 $\Delta p = 50 \text{ bar, constant}$
- 5 $\Delta p = 100 \text{ bar, constant}$

Δp = valve pressure differential according to DIN 24311 (inlet pressure p_p minus load pressure p_L minus return flow pressure p_T)

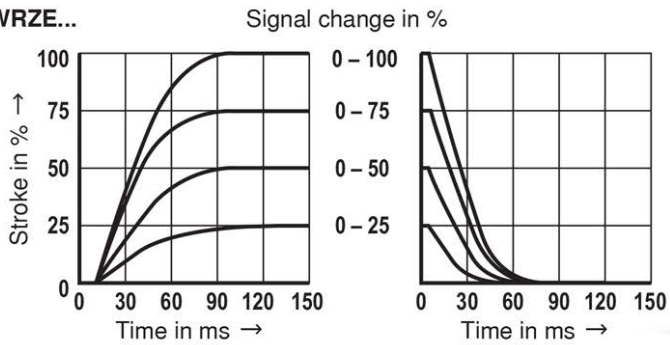
Characteristic curves size 16 (control spool "E, W6-, EA, W6A" as well as HLP46, $\vartheta_{oil} = 40 \text{ }^\circ\text{C} \pm 5 \text{ }^\circ\text{C}$ and $p = 100 \text{ bar}$)

Transition functions with stepped, electric input signals, measured at $p_{St} = 50 \text{ bar}$

Type 4WRZ...

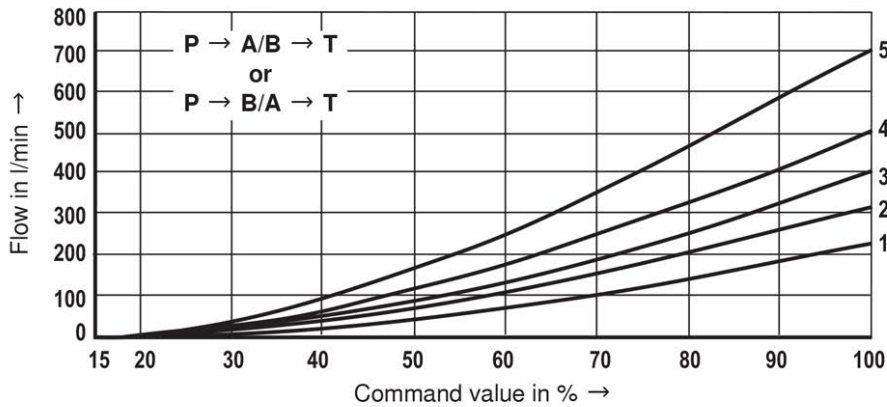


Type 4WRZE...



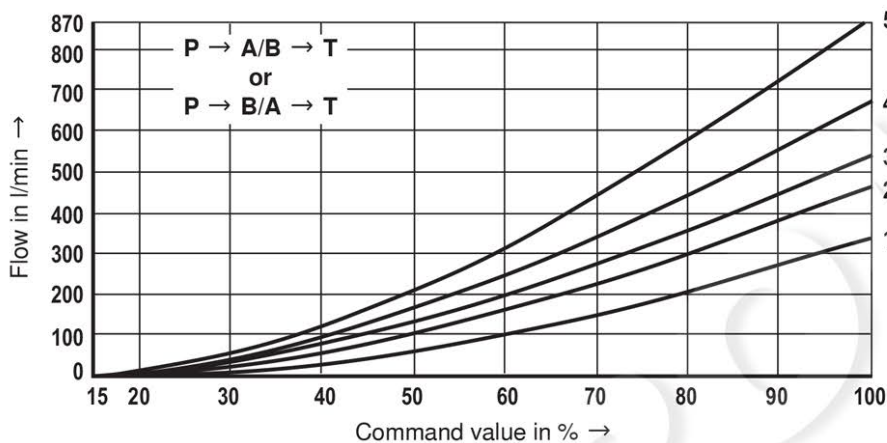
Characteristic curves size 25 (control spool "E, W6-, EA, W6A" as well as HLP46, $\vartheta_{oil} = 40 \text{ }^\circ\text{C} \pm 5 \text{ }^\circ\text{C}$ and $p = 100 \text{ bar}$)

220 l/min rated flow at 10 bar valve pressure differential



- 1 $\Delta p = 10 \text{ bar}$, constant
- 2 $\Delta p = 20 \text{ bar}$, constant
- 3 $\Delta p = 30 \text{ bar}$, constant
- 4 $\Delta p = 50 \text{ bar}$, constant
- 5 $\Delta p = 100 \text{ bar}$, constant

325 l/min rated flow at 10 bar valve pressure differential

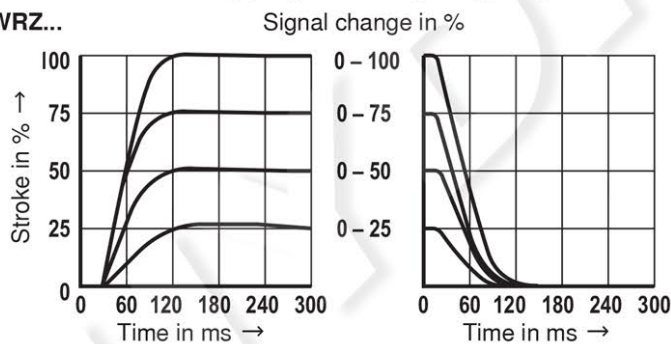


- 1 $\Delta p = 10 \text{ bar}$, constant
- 2 $\Delta p = 20 \text{ bar}$, constant
- 3 $\Delta p = 30 \text{ bar}$, constant
- 4 $\Delta p = 50 \text{ bar}$, constant
- 5 $\Delta p = 100 \text{ bar}$, constant

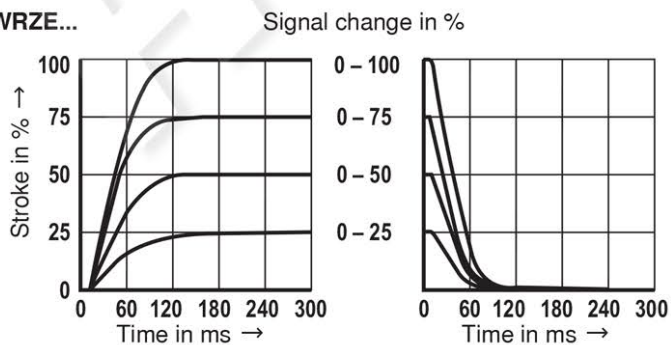
Δp = valve pressure differential according to DIN 24311 (inlet pressure p_p minus load pressure p_L minus return flow pressure p_r)

Transition functions with stepped, electric input signals, measured at $p_{St} = 50 \text{ bar}$

Type 4WRZ...

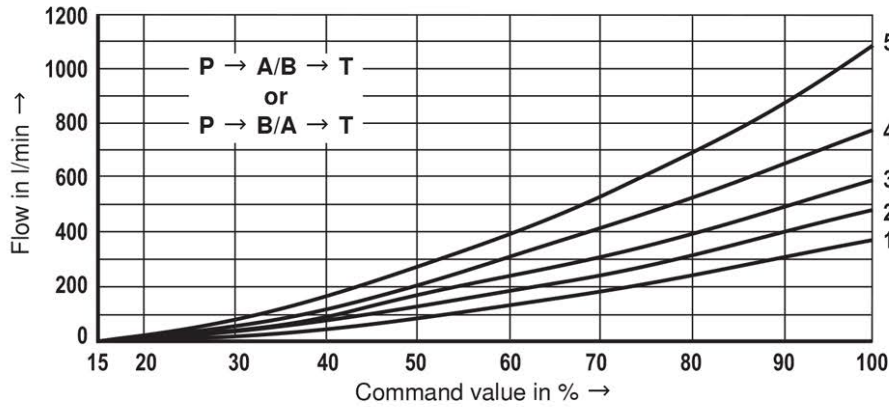


Type 4WRZE...



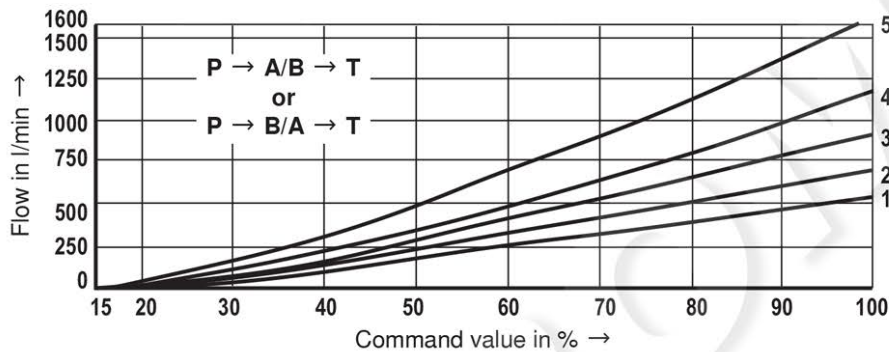
Characteristic curves size 32 (control spool "E, W6-, EA, W6A" as well as HLP46, $\vartheta_{oil} = 40 \text{ }^\circ\text{C} \pm 5 \text{ }^\circ\text{C}$ and $p = 100 \text{ bar}$)

360 l/min rated flow at 10 bar valve pressure differential



- 1 $\Delta p = 10 \text{ bar, constant}$
- 2 $\Delta p = 20 \text{ bar, constant}$
- 3 $\Delta p = 30 \text{ bar, constant}$
- 4 $\Delta p = 50 \text{ bar, constant}$
- 5 $\Delta p = 100 \text{ bar, constant}$

520 l/min rated flow at 10 bar valve pressure differential

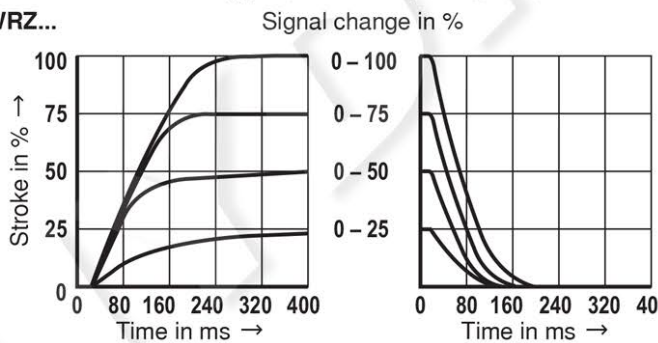


- 1 $\Delta p = 10 \text{ bar, constant}$
- 2 $\Delta p = 20 \text{ bar, constant}$
- 3 $\Delta p = 30 \text{ bar, constant}$
- 4 $\Delta p = 50 \text{ bar, constant}$
- 5 $\Delta p = 100 \text{ bar, constant}$

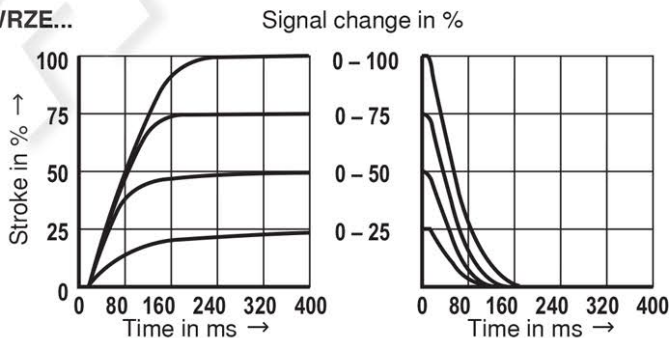
Δp = valve pressure differential according to DIN 24311 (inlet pressure p_p minus load pressure p_L minus return flow pressure p_r)

Transition functions with stepped, electric input signals, measured at $p_{St} = 50 \text{ bar}$

Type 4WRZ...

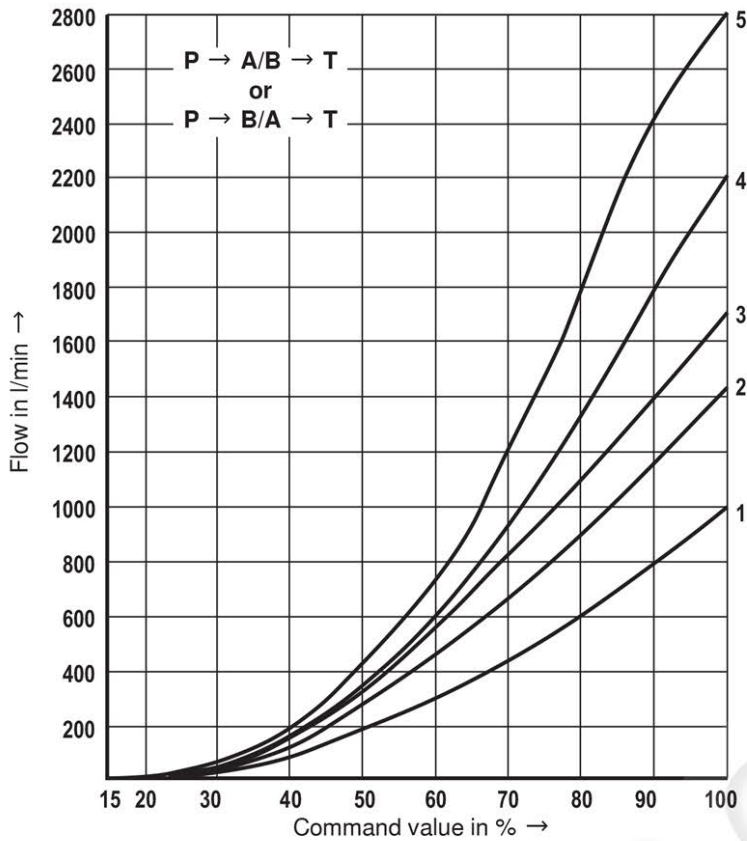


Type 4WRZE...



Characteristic curves size 52 (control spool "E, W6-, EA, W6A" as well as HLP46, $\vartheta_{oil} = 40 \text{ }^\circ\text{C} \pm 5 \text{ }^\circ\text{C}$ and $p = 100 \text{ bar}$)

1000 l/min rated flow at 10 bar valve pressure differential



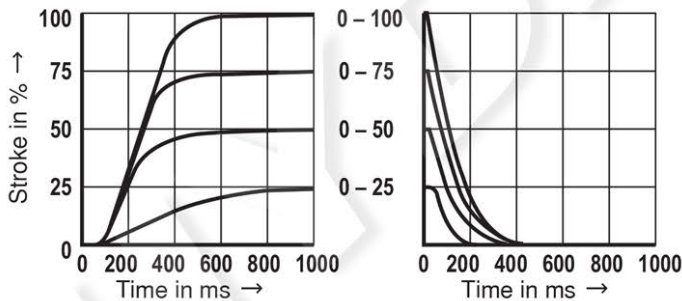
- 1 $\Delta p = 10 \text{ bar, constant}$
- 2 $\Delta p = 20 \text{ bar, constant}$
- 3 $\Delta p = 30 \text{ bar, constant}$
- 4 $\Delta p = 50 \text{ bar, constant}$
- 5 $\Delta p = 100 \text{ bar, constant}$

Δp = valve pressure differential according to DIN 24311 (inlet pressure p_p minus load pressure p_L minus return flow pressure p_r)

Transition functions with stepped, electric input signals, measured at $p_{St} = 50 \text{ bar}$

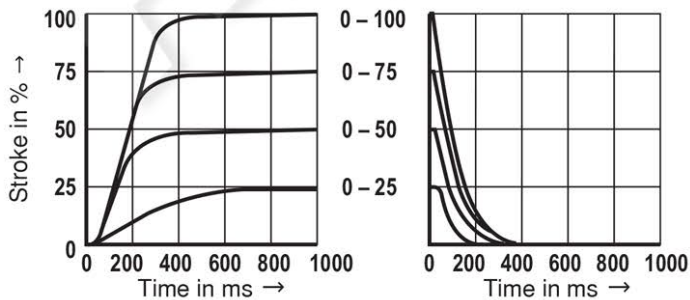
Type .WRZ...

Signal change in %

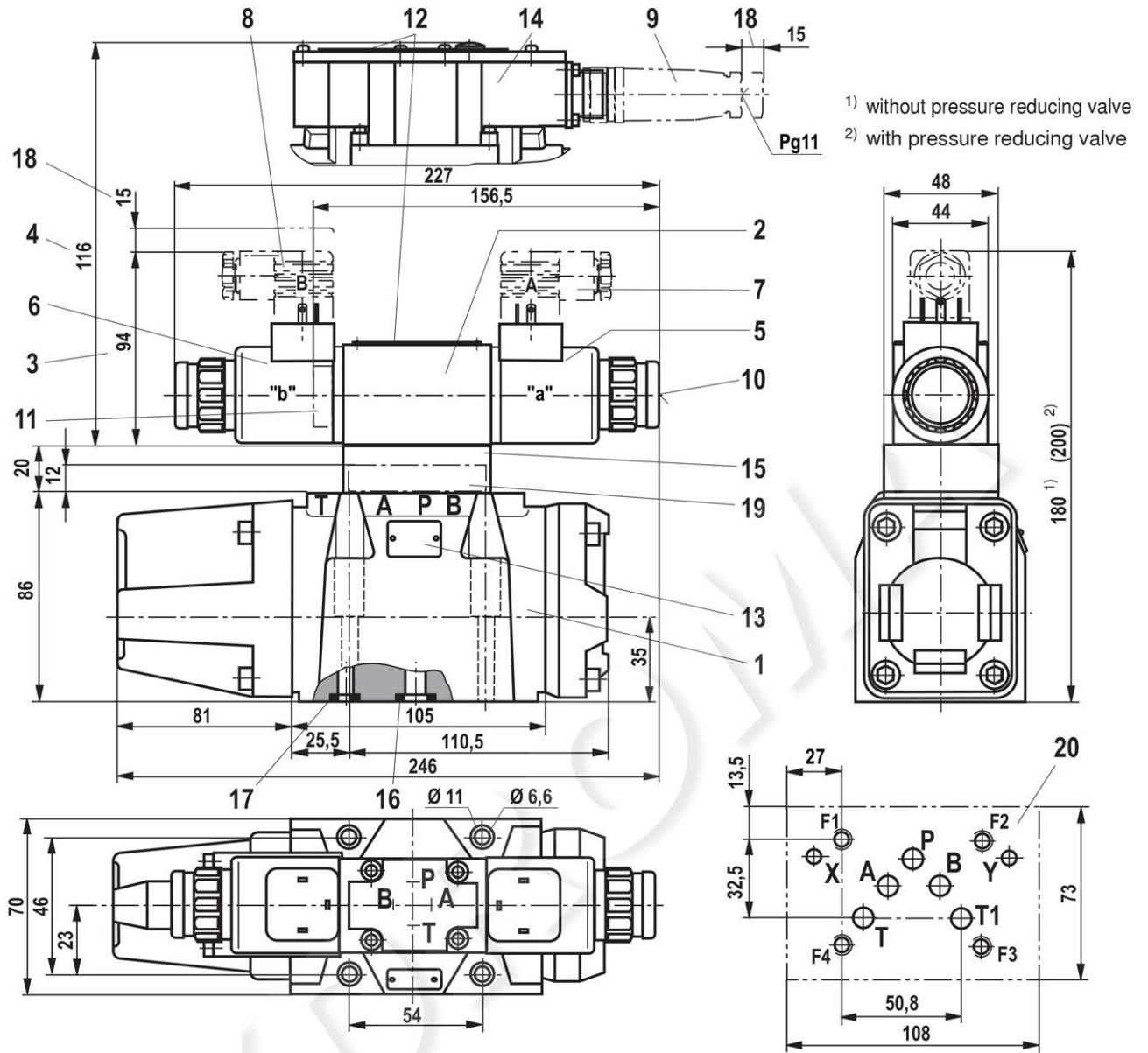


Type .WRZE...

Signal change in %



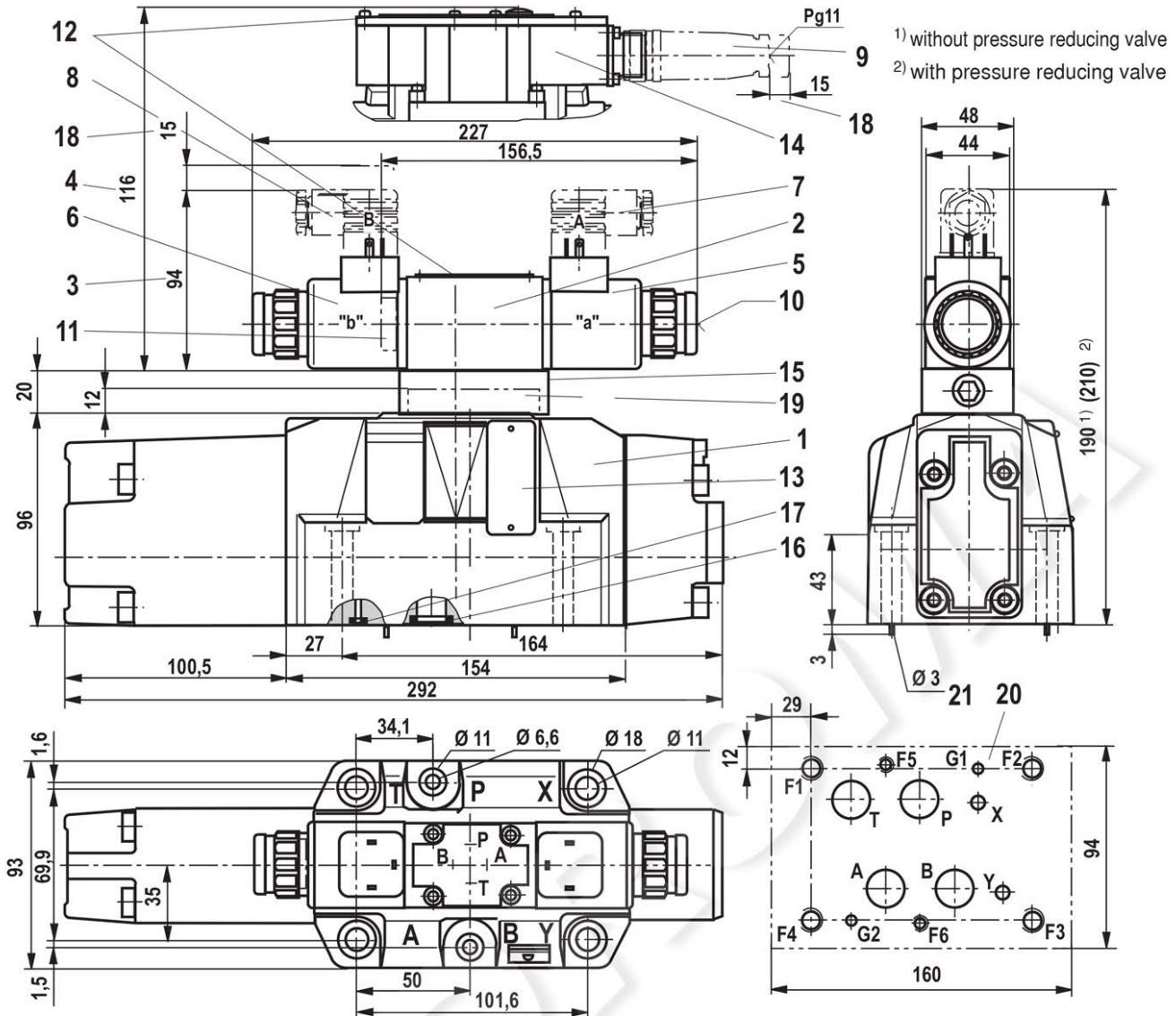
Dimensions: Size 10 (dimensions in mm)



- 1 Main valve
- 2 Pilot control valve
- 3 Dimension for version "4WRZ..." (not seawater-resistant)
- 4 Dimension for version "4WRZE..."
- 5 Proportional solenoid "a"
- 6 Proportional solenoid "b"
- 7 Mating connector "A", separate order, see page 27
- 8 Mating connector "B", separate order, see page 27
- 9 Mating connector, separate order, see page 27
- 10 Concealed manual override "N9"
- 11 Plug screw for valves with one solenoid
- 12 Name plate for pilot control valve
- 13 Name plate for main valve
- 14 Integrated electronics (OBE)
- 15 Pressure reducing valve "D3"
- 16 Identical seal rings for ports A, B, P, T, and T1
- 17 Identical seal rings for ports X and Y
- 18 Space required to remove the mating connector
- 19 Diversion plate (type 4WRH...)
- 20 Machined installation surface, porting pattern according to ISO 4401-05-05-0-05, ports X and Y as required

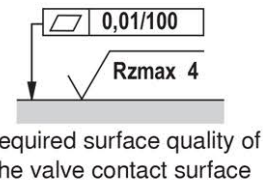
For subplates and valve mounting screws, see page 27

Dimensions: Size 16 (dimensions in mm)



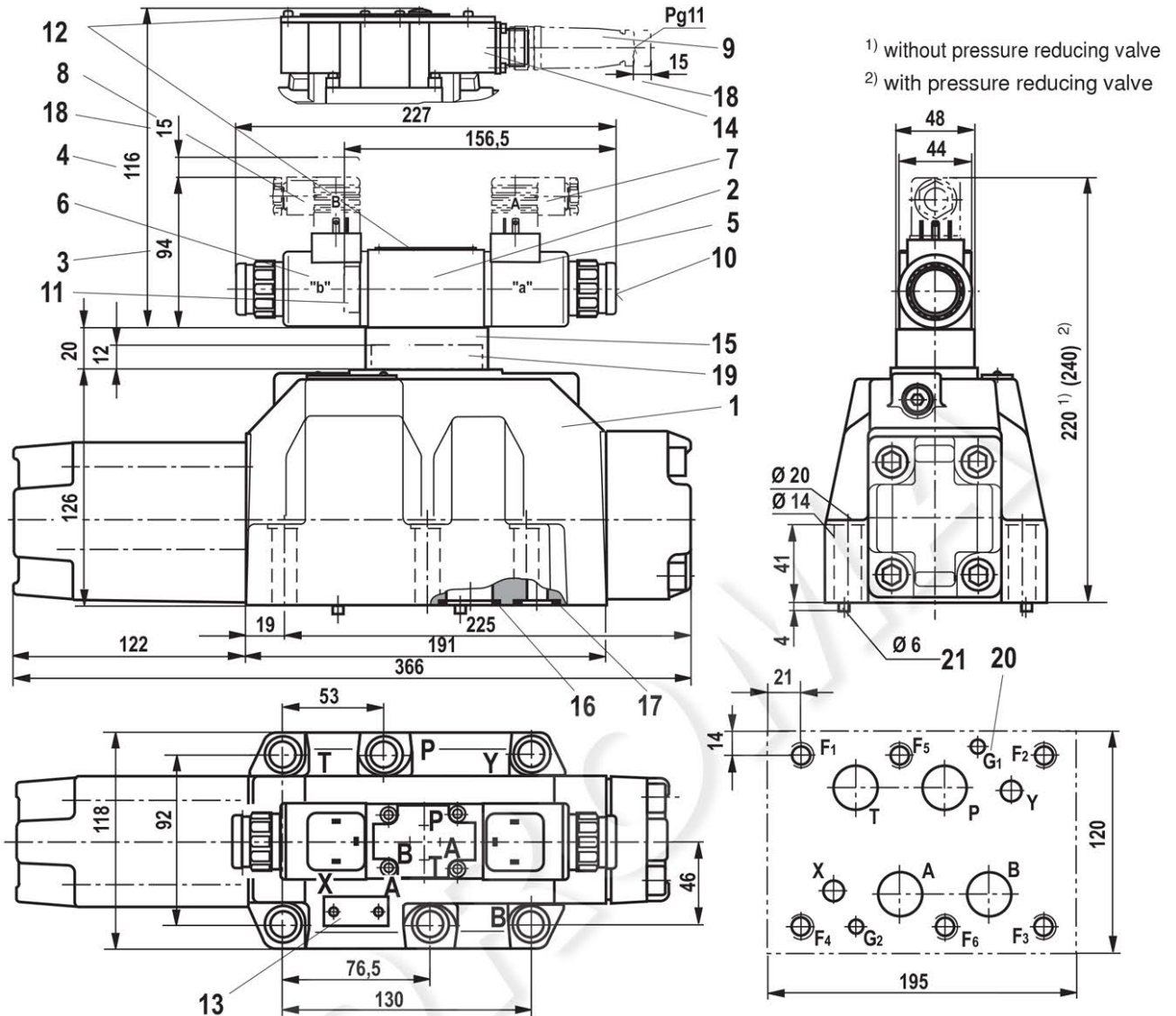
1) without pressure reducing valve
2) with pressure reducing valve

- 1 Main valve
- 2 Pilot control valve
- 3 Dimension for version "4WRZ..." (not seawater-resistant)
- 4 Dimension for version "4WRZE..."
- 5 Proportional solenoid "a"
- 6 Proportional solenoid "b"
- 7 Mating connector "A", separate order, see page 27
- 8 Mating connector "B", separate order, see page 27
- 9 Mating connector, separate order, see page 27
- 10 Concealed manual override "N9"
- 11 Plug screw for valves with one solenoid
- 12 Name plate for pilot control valve
- 13 Name plate for main valve
- 14 Integrated electronics (OBE)
- 15 Pressure reducing valve "D3"
- 16 Identical seal rings for ports A, B, P, and T
- 17 Identical seal rings for ports X and Y
- 18 Space required to remove the mating connector
- 19 Diversion plate (type 4WRH...)
- 20 Machined installation surface, porting pattern according to ISO 4401-07-07-0-05, ports X and Y as required deviating from the standard: Ports A, B, P, T Ø20 mm.
- 21 Locking pin



For subplates and valve mounting screws, see page 27

Dimensions: Size 25 (dimensions in mm)



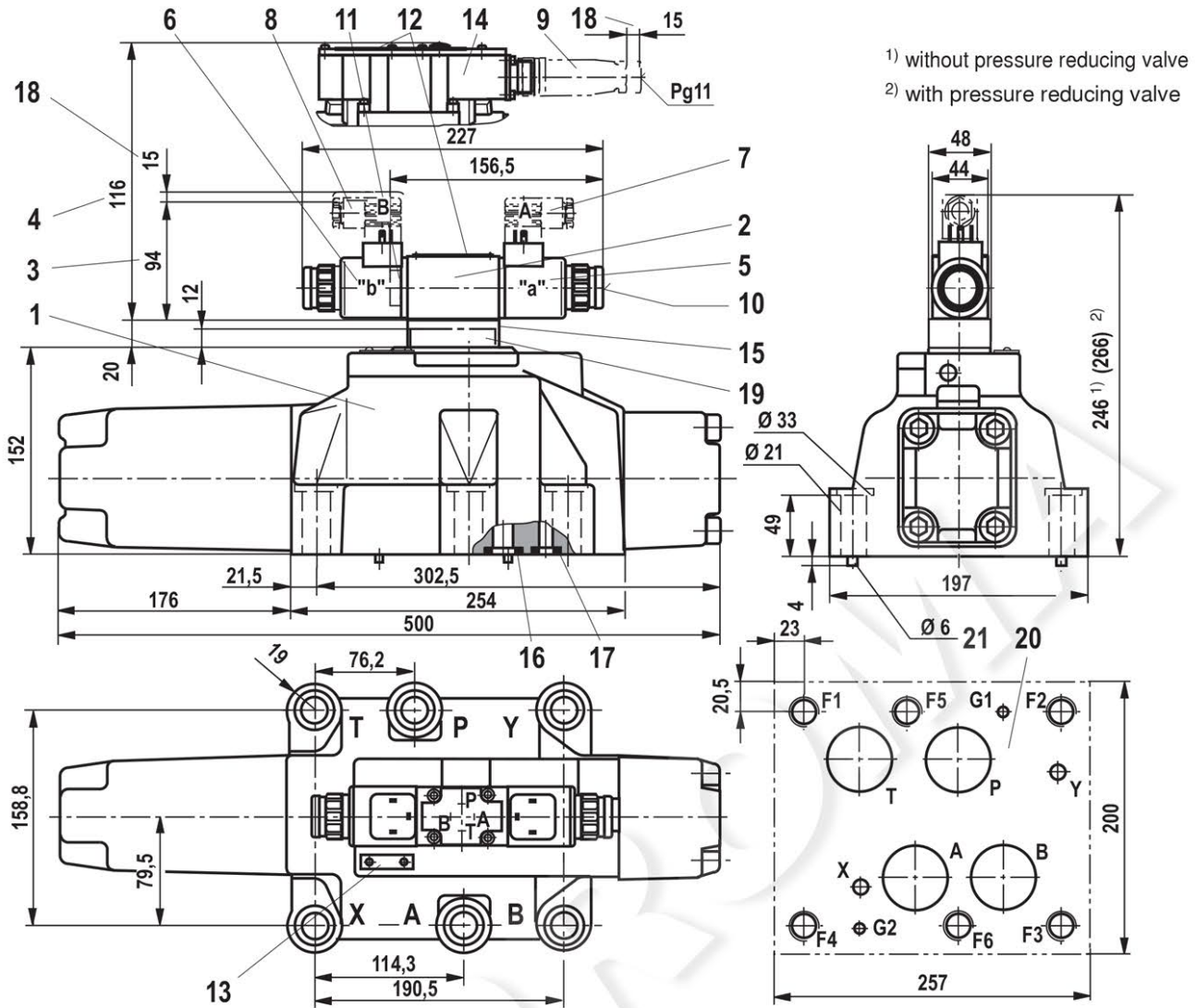
- 1 Main valve
- 2 Pilot control valve
- 3 Dimension for version "4WRZ..." (not seawater-resistant)
- 4 Dimension for version "4WRZE..."
- 5 Proportional solenoid "a"
- 6 Proportional solenoid "b"
- 7 Mating connector "A", separate order, see page 27
- 8 Mating connector "B", separate order, see page 27
- 9 Mating connector, separate order, see page 27
- 10 Concealed manual override "N9"
- 11 Plug screw for valves with one solenoid
- 12 Name plate for pilot control valve
- 13 Name plate for main valve
- 14 Integrated electronics (OBE)

- 15 Pressure reducing valve "D3"
- 16 Identical seal rings for ports A, B, P, and T
- 17 Identical seal rings for ports X and Y
- 18 Space required for removing the mating connector
- 19 Diversion plate (type 4WRH...)
- 20 Machined installation surface, porting pattern according to ISO 4401-08-08-0-05, ports X and Y as required
- 21 Locking pin

Required surface quality of the valve contact surface

For subplates and valve mounting screws, see page 27

Dimensions: Size 32 (dimensions in mm)



1) without pressure reducing valve
2) with pressure reducing valve

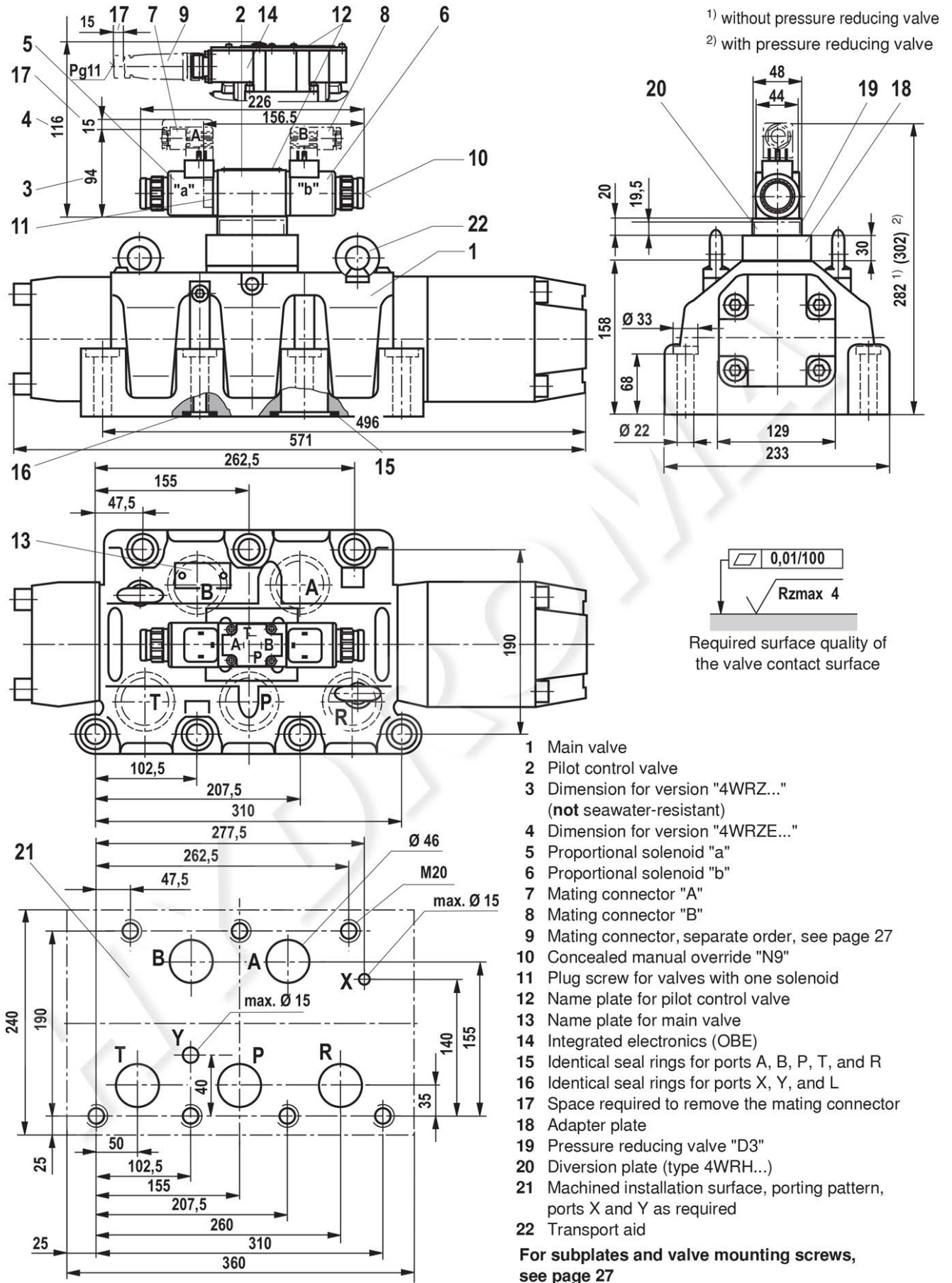
- 1 Main valve
- 2 Pilot control valve
- 3 Dimension for version "4WRZ..." (not seawater-resistant)
- 4 Dimension for version "4WRZE..."
- 5 Proportional solenoid "a"
- 6 Proportional solenoid "b"
- 7 Mating connector "A", separate order, see page 27
- 8 Mating connector "B", separate order, see page 27
- 9 Mating connector, separate order, see page 27
- 10 Concealed manual override "N9"
- 11 Plug screw for valves with one solenoid
- 12 Name plate for pilot control valve
- 13 Name plate for main valve
- 14 Integrated electronics (OBE)

- 15 Pressure reducing valve "D3"
- 16 Identical seal rings for ports A, B, P, and T
- 17 Identical seal rings for ports X and Y
- 18 Space required for removing the mating connector
- 19 Diversion plate (type 4WRH...)
- 20 Machined installation surface, porting pattern according to ISO 4401-10-09-0-05, ports X and Y as required deviating from the standard:
 - Ports A, B, T and P $\varnothing 38$ mm.
- 21 Locking pin

Required surface quality of the valve contact surface

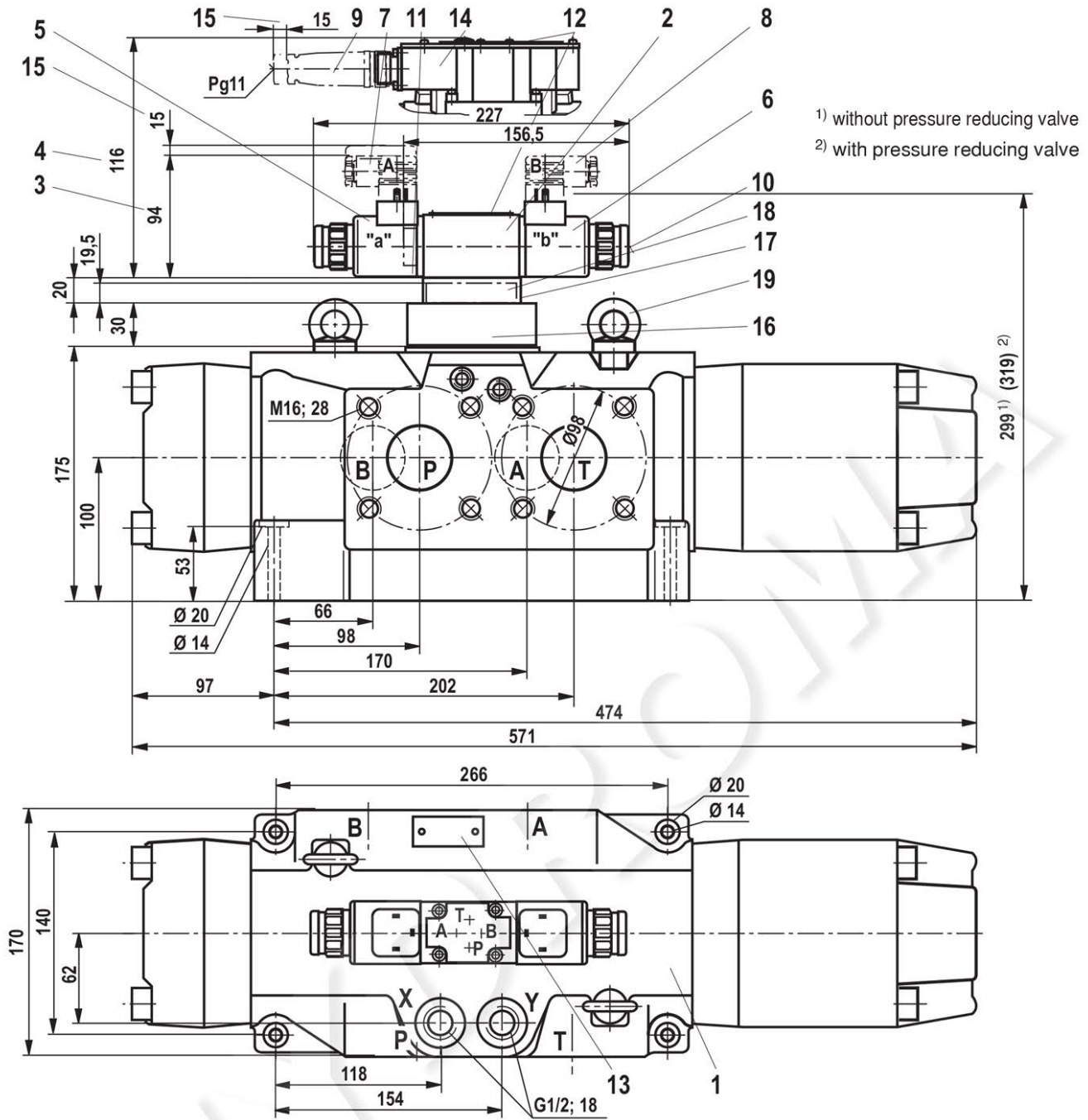
For subplates and valve mounting screws, see page 27

Dimensions: Subplate mounting size 52 (dimensions in mm)



- 1 Main valve
 - 2 Pilot control valve
 - 3 Dimension for version "4WRZ..."
(not seawater-resistant)
 - 4 Dimension for version "4WRZE..."
 - 5 Proportional solenoid "a"
 - 6 Proportional solenoid "b"
 - 7 Mating connector "A"
 - 8 Mating connector "B"
 - 9 Mating connector, separate order, see page 27
 - 10 Concealed manual override "N9"
 - 11 Plug screw for valves with one solenoid
 - 12 Name plate for pilot control valve
 - 13 Name plate for main valve
 - 14 Integrated electronics (OBE)
 - 15 Identical seal rings for ports A, B, P, T, and R
 - 16 Identical seal rings for ports X, Y, and L
 - 17 Space required to remove the mating connector
 - 18 Adapter plate
 - 19 Pressure reducing valve "D3"
 - 20 Diversion plate (type 4WRH...)
 - 21 Machined installation surface, porting pattern,
ports X and Y as required
 - 22 Transport aid
- For subplates and valve mounting screws,
see page 27**

Dimensions: Flange connection size 52 (dimensions in mm)



1) without pressure reducing valve
2) with pressure reducing valve

- | | |
|--|--|
| 1 Main valve | 11 Plug screw for valves with one solenoid |
| 2 Pilot control valve | 12 Name plate for pilot control valve |
| 3 Dimension for version "4WRZ..." (not seawater-resistant) | 13 Name plate for main valve |
| 4 Dimension for version "4WRZE..." | 14 Integrated electronics (OBE) |
| 5 Proportional solenoid "a" | 15 Space required to remove the mating connector |
| 6 Proportional solenoid "b" | 16 Adapter plate |
| 7 Mating connector "A", separate order, see page 27 | 17 Pressure reducing valve "D3" |
| 8 Mating connector "B", separate order, see page 27 | 18 Diversion plate (type 4WRH...) |
| 9 Mating connector, separate order, see page 27 | 19 Transport aid |
| 10 Concealed manual override "N9" | |

For subplates and valve mounting screws, see page 27

Accessories (not included in the scope of delivery)

Mating connectors			Material number
Mating connector for 4WRZ	DIN EN 175301-803	Solenoid "a", grey	R901017010
		Solenoid "b", black	R901017011
Mating connector for 4WRZE and 4WRZE...J...	DIN EN 175201-804		e.g. R900021267 (plastic)
			e.g. R900223890 (metal)

Hexagon socket head cap screws			Material number
Size 10	4x ISO 4762 - M6 x 45 - 10.9-flZn-240h-L Tightening torque $M_A = 13.5 \text{ Nm} \pm 10\%$ or 4x ISO 4762 - M6 x 45 - 10.9 Tightening torque $M_A = 15.5 \text{ Nm} \pm 10\%$		R913000258
Size 16	2x ISO 4762 - M6 x 60 - 10.9-flZn-240h-L Tightening torque $M_A = 12.2 \text{ Nm} \pm 10\%$ 4x ISO 4762 - M10 x 60 - 10.9-flZn-240h-L Tightening torque $M_A = 58 \text{ Nm} \pm 20\%$ or 2x ISO 4762 - M6 x 60 - 10.9 Tightening torque $M_A = 15.5 \text{ Nm} \pm 10\%$ 4x ISO 4762 - M10 x 60 - 10.9 Tightening torque $M_A = 75 \text{ Nm} \pm 20\%$		R913000115
			R913000116
Size 25	6x ISO 4762 - M12 x 60 - 10.9-flZn-240h-L Tightening torque $M_A = 100 \text{ Nm} \pm 20\%$ or 6x ISO 4762 - M12 x 60 - 10.9 Tightening torque $M_A = 130 \text{ Nm} \pm 20\%$		R913000121
Size 32	6x ISO 4762 - M20 x 80 - 10.9-flZn-240h-L Tightening torque $M_A = 340 \text{ Nm} \pm 20\%$ or 6x ISO 4762 - M20 x 80 - 10.9 Tightening torque $M_A = 430 \text{ Nm} \pm 20\%$		R901035246
Size 52 (5WRZ52)	With a steel installation surface: 7x ISO 4762 - M20 x 90 - 10.9-flZn-240h-L Tightening torque $M_A = 465 \text{ Nm} \pm 20\%$ With a cast iron installation surface: 7x ISO 4762 - M20 x 100 - 10.9-flZn-240h-L Tightening torque $M_A = 465 \text{ Nm} \pm 20\%$ or With a steel installation surface: 7x ISO 4762 - M20 x 90 - 10.9 Tightening torque $M_A = 610 \text{ Nm} \pm 20\%$ With a cast iron installation surface: 7x ISO 4762 - M20 x 100 - 10.9 Tightening torque $M_A = 610 \text{ Nm} \pm 20\%$		R913000397
			R913000386
Size 52 (4WRZ52)	4x ISO 4762 - M12 x 70 - 10.9-flZn-240h-L Tightening torque $M_A = 100 \text{ Nm} \pm 20\%$ or 4x ISO 4762 - M12 x 70 - 10.9 Tightening torque $M_A = 130 \text{ Nm} \pm 20\%$		R913000515

When using type 4WRZ..., use the following throttle inserts in channel A and B of the pilot control valve:

Subplates/connection flanges	Data sheet
Size 10	45054
Size 16	45056
Size 25	45058
Size 32	45060
Size 52	45501

Throttle insert	Ø in mm	Material number
Size 10	1.8	R900158510
Size 16	2.0	R900158547
Size 25	2.8	R900157948
Size 32	-	-
Size 52	-	-