

Part number:

HYDROMA

HYDRAULICKÉ SYSTÉMY

**HIDROMA
SISTEMS**

UKŁADY HYDRAULICZNE

HYDROMA

ГИДРАВЛИЧЕСКИЕ СИСТЕМЫ



VMP.10...

CMP.10...

CH. V PAGE 19

VMP.10 MAXIMUM / DIRECT PRESSURE VALVES IN LINE MOUNTING

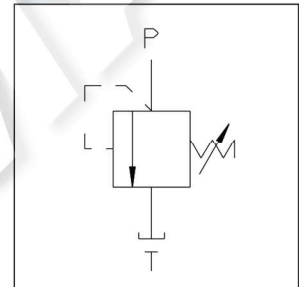
The maximum pressure valves VMP10 are direct actions units. Their use is essential for the limitation of hydraulic system pressure. In order to achieve more convenient calibration adjustment the whole pressure range (2÷320 bar) has been subdivided into 3 smaller bands, as shown in the ordering part number table. For each pressure band a different calibration spring is used, selected for the corresponding minimum operating pressure. The CMP10 cartridge is of direct acting type.

Max. pressure	320 bar	
Setting ranges:	Spring 0	max. 30 bar
	Spring 1	max. 50 bar
	Spring 2	max. 150 bar
	Spring 3	max. 320 bar
Max. flow	40 l/min	
Hydraulic fluids	mineral oils DIN 51524	
Fluid viscosity	10 ÷ 500 mm ² /s	
Fluid temperature	-25°C ÷ 75°C	
Ambient temperature	-25°C ÷ 60°C	
Max. contamination level	class 10 in accordance with NAS 1638 with filter $\beta_{25} \geq 75$	
Weight	0,8 Kg	
• The minimum permissible setting pressure depending on the spring: see curves below		

These direct action valves offer 2 important safety features for the systems where they are used:

- 1) A mechanical end of stroke stop prevents the user from setting pressure value higher than those specified in the catalogue (it is impossible to compress the spring completely);
- 2) In order to prevent temporary closure of port P in case of high pressure peaks, the adjustment pin is mechanically blocked at a fixed opening value.

HYDRAULIC SYMBOL



ORDERING CODE

VMP

Max. pressure valve

10

Connector size: 3/8" BSP

*

Type of adjustment

M = Steel knob

C = Grub screw

V = Handwheel

*

Setting ranges

0 = max. 30 bar (without col.)

1 = max. 50 bar (white spring)

2 = max. 150 bar (yellow spring)

3 = max. 320 bar (green spring)

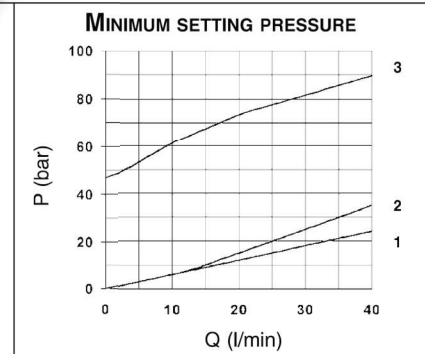
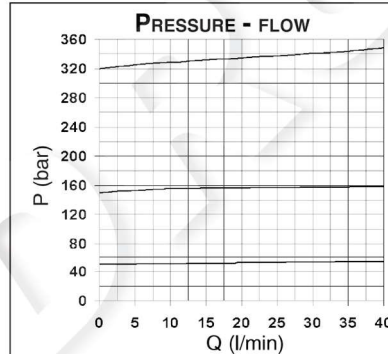
**

00 = No variant

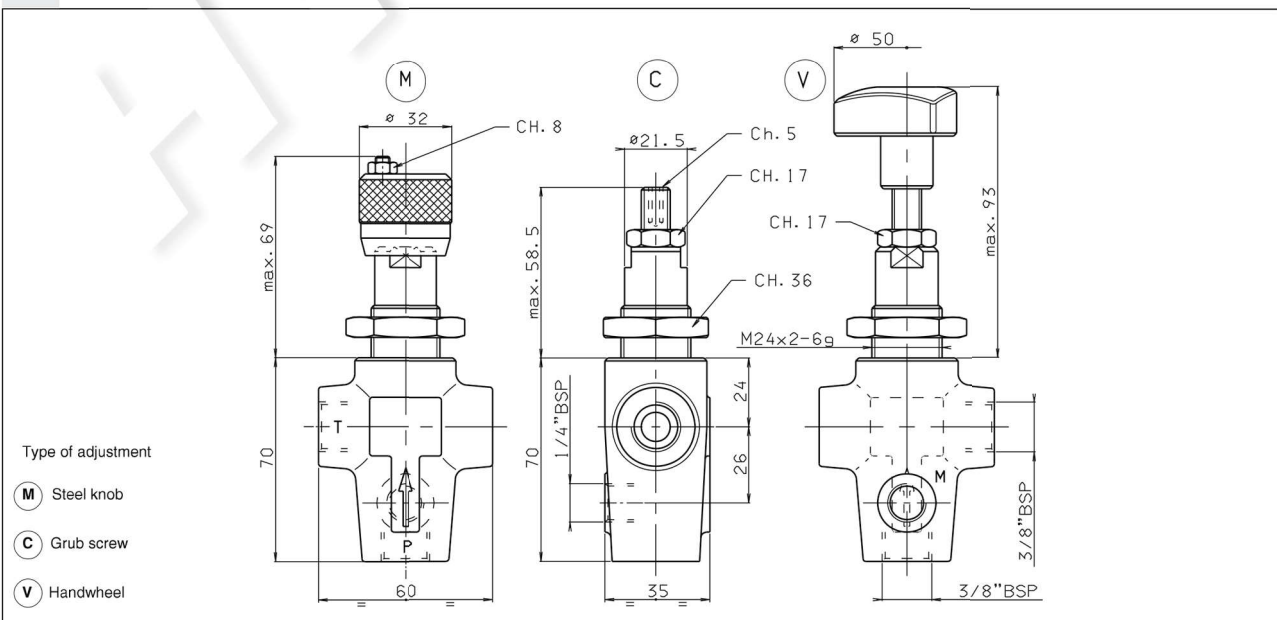
V1 = Viton

2

Serial No.



OVERALL DIMENSIONS





VMP.20...

CMP.20...

CH. V PAGE 20

VMP.20 MAXIMUM / DIRECT PRESSURE VALVES IN LINE MOUNTING

The maximum pressure valves VMP20... are direct action units. Their use is essential for the limitation of hydraulic system pressure. In order to achieve a more convenient calibration adjustment the whole pressure range (2÷250 bar) has been subdivided into 3 smaller bands, as shown in the ordering part number table. For each pressure band, a different calibration spring is used, selected for the corresponding minimum operating pressure. The CMP20 cartridge is of direct acting type.

Max. pressure	250 bar	
Setting range:	Spring 1	max. 30 bar
	Spring 2	max. 140 bar
	Spring 3	max. 250 bar
Max. flow	80 l/min	
Hydraulic fluids	Mineral oils DIN 51524	
Fluid viscosity	10 ÷ 500 mm ² /s	
Fluid temperature	-25°C ÷ 75°C	
ambient temperature	-25°C ÷ 60°C	
Max. contamination level	class 10 in accordance with NAS 1638 with filter $\beta_{25} \geq 75$	
Weight	1,7 Kg	

• The minimum permissible setting pressure depending on the spring: see curves below

ORDERING CODE

VMP

Max. pressure valve

20

Connector size: 1/2" BSP

*

Type of adjustment

M = Steel knob

C = Grub screw

V = Handwheel

*

Setting ranges

1 = max. 30 bar (white spring)

2 = max. 140 bar (yellow spring)

3 = max. 250 bar (green spring)

**

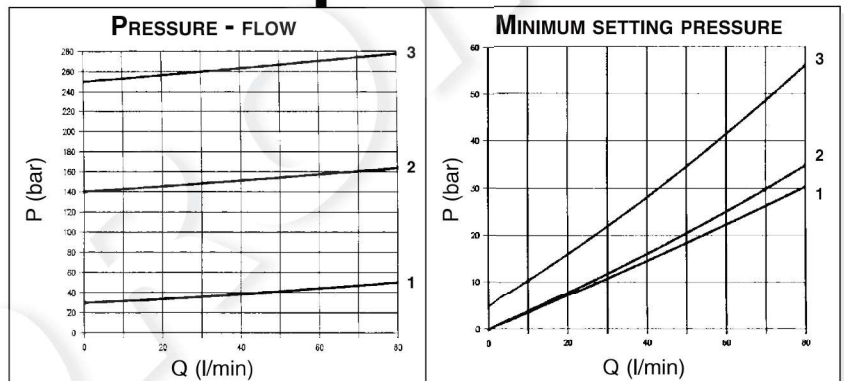
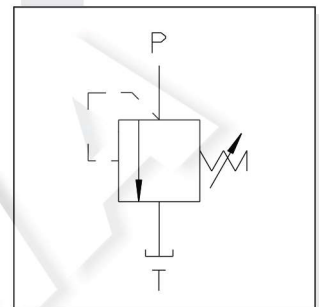
00 = No variant

V1 = Viton

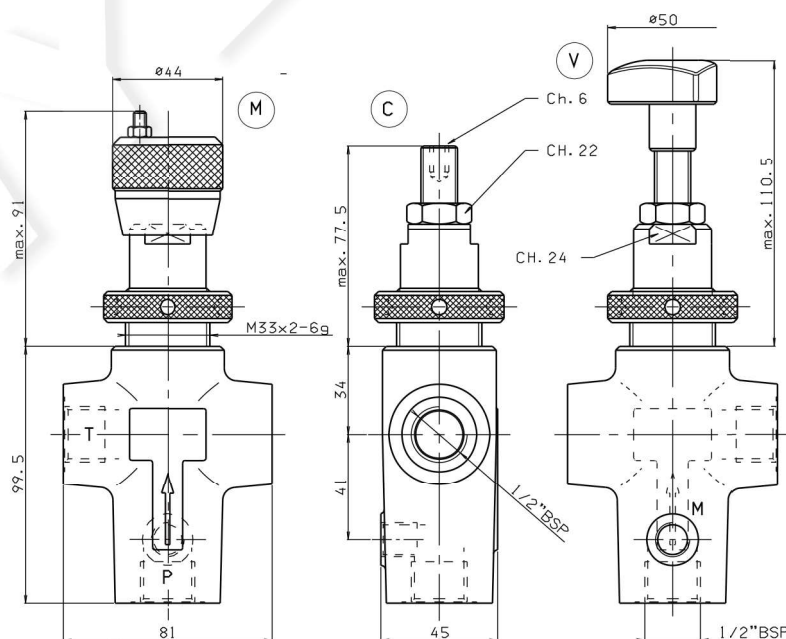
2

Serial No.

HYDRAULIC SYMBOL



OVERALL DIMENSIONS



Type adjustment

(M) Steel knob

(C) Grub screw

(V) Handwheel

