

Part number:

**HYDROMA**

HYDRAULICKÉ SYSTÉMY

**HIDROMA  
SYSTEMS**

UKŁADY HYDRAULICZNE

**HYDROMA**

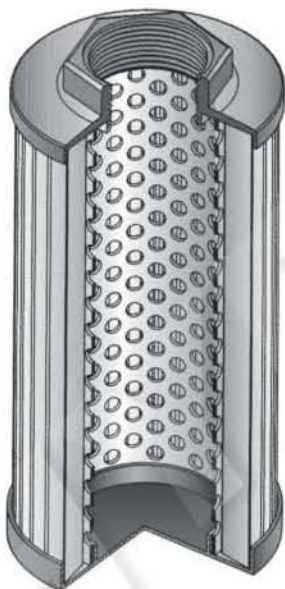
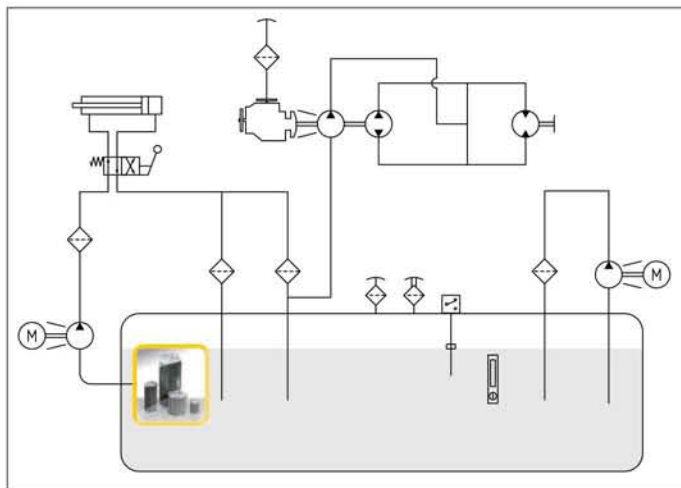
ГИДРАВЛИЧЕСКИЕ СИСТЕМЫ

**FAM**



Suction Filters

**SUCTION STRAINER**



## FAM

Port sizes: 3/8" ÷ 4"

Flow rates: 5 ÷ 600 l/min

### TECHNICAL DATA

Bypass valve: 300 kPa (0,3 bar) ± 10% on request  
(not available for FAM130-150)

Filter element collapse pressure:  
standard  $\Delta p$  100 kPa (1 bar)

Working temperature: -25 ÷ +110°C

### MATERIALS

Connector: aluminium

Internal core: zinc plated steel

End cap: zinc plated steel

### COMPATIBILITY (ISO 2943:1999)

Full with fluids: HH-HL-HM-HV-HTG  
(according to ISO 6743/4).

For fluids different than the above mentioned,  
please contact our Sales Department.

All tests performed according  
to the following standards:

ISO 2941: Element collapse resistance test

ISO 2942: Production integrity test

ISO 2943: Fluids compatibility

ISO 3723: End load test method

ISO 3724: Flow fatigue resistance method

ISO 3968: Pressure drop versus flow rate

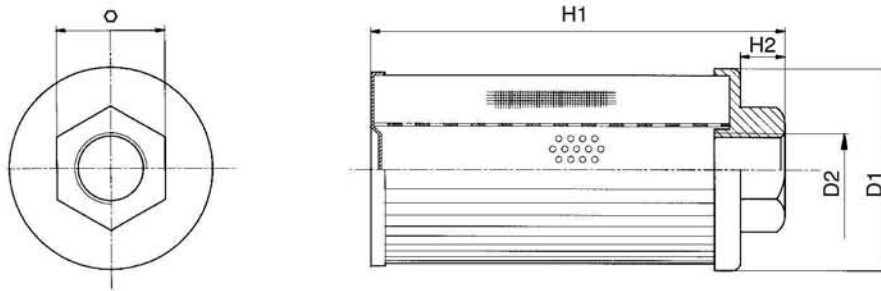
ISO 16889: Multipass test.

For further information contact our Technical Dept.



**DIMENSIONAL LAYOUT**

(mm)



Type	D1	D2	H1	H2	o
FAM 003 .. X. B2 S	52	3/8"	80	10	30
FAM 004 .. X. B3 S	52	1/2"	80	10	30
FAM 006 .. X. B3 S	71	1/2"	100	13	42
FAM 008 .. X. B4 S	71	3/4"	100	13	42
FAM 011 .. X. B4 S	71	3/4"	145	13	42
FAM 013 .. X. B5 S	71	1"	145	13	42
FAM 015 .. X. B5 S	96	1"	100	13	60
FAM 020 .. X. B5 S	96	1"	135	13	60
FAM 025 .. X. B6 S	96	1" 1/4	100	13	60
FAM 030 .. X. B6 S	96	1" 1/4	220	13	60
FAM 040 .. X. B7 S	96	1" 1/2	220	13	60
FAM 043 .. X. B6 S	96	1" 1/4	135	13	75
FAM 045 .. X. B7 S	140	1" 1/2	115	13	75
FAM 050 .. X. B7 S	140	1" 1/2	155	13	75
FAM 060 .. X. B8 S	140	2"	155	13	75
FAM 065 .. X. B8 S	140	2"	215	13	75
FAM 075 .. X. B8 S	140	2"	265	13	75
FAM 080 .. X. B9 S	140	2" 1/2	277	25	101
FAM 115 .. X. BA S	140	3"	325	25	101
FAM 130 .. X. BB S	180	3" 1/2	390	35	140
FAM 150 .. X. BC S	180	4"	440	35	140

**FLOW RATES**

(l/min)

The reference fluid has a kinematic viscosity of 30 cSt and a density of 0,86 Kg/dm<sup>3</sup>.  
For different oil viscosity please contact our Sales Department for further information.

Type	FAM 003	FAM 004 006	FAM 008 011	FAM 013 015 020	FAM 025 030	FAM 040	FAM 043	FAM 045 050	FAM 060 065 075	FAM 080	FAM 115	FAM 130	FAM 150	
MS $\mu$ 60	$\Delta p$ 1 kPa (0,01 bar)	8	10	18	33	64	73	64	90	130	185	175	310	640
	$\Delta p$ 3 kPa (0,03 bar)	15	24	32	54	100	137	100	165	230	310	460	510	560
MN $\mu$ 90	$\Delta p$ 1 kPa (0,01 bar)	9	12	20	37	70	80	70	100	140	200	300	330	360
	$\Delta p$ 3 kPa (0,03 bar)	16	26	35	60	110	150	110	180	250	330	500	550	600
DC $\mu$ 250	$\Delta p$ 1 kPa (0,01 bar)	9	12	20	37	70	80	70	100	140	200	300	330	360
	$\Delta p$ 3 kPa (0,03 bar)	16	26	35	60	110	150	110	180	250	330	500	550	600