

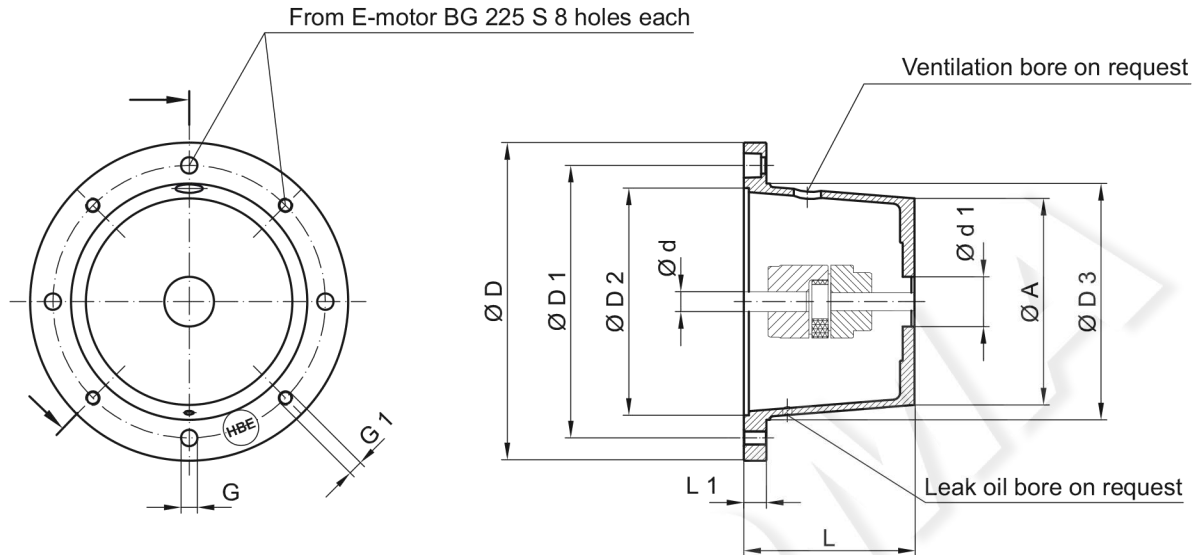
Part number:

HYDROMA**HIDROMA
SYSTEMS****HYDROMA**

HYDRAULICKÉ SYSTÉMY

UKŁADY HYDRAULICZNE

ГИДРАВЛИЧЕСКИЕ СИСТЕМЫ

**RIGID BELLHOUSINGS
ACC. TO VDMA 24561 FORM A****FOR ELECTRIC MOTORS FRAME IMB 5-IMB 35-IM V1**

IEC motor size shaft (d x L)	kW at n=1500 min ⁻¹	Bellhousing	Foot flange	Gasket	Dimensions [mm]									
					Type	Type	Type	Motor side				Pump side		
								Ø D	Ø D1	Ø D2	Ø D3	L	L1	G
63 (11 x 23)	0.12-0.18	PR 140/95/...	-	D 140 GK	140	115	95	95	95	15	9	M8	90	25
		PR 140/105/...							105	25				
		PR 140/115/...							115	35				
71 (14 x 30)	0.25-0.37	PR 160/70/...*	PTFL 160	D 160 GK	160	130	110	110	70	13	9	M8	107	20
		PR 160/80/...*							80	13			106	20
		PR 160/90/...*							90	13			105	20
		PR 160/100/...							100	19			104	39
		PR 160/115/...							115	34			104	39
		PR 163/80-95/...**							80-95	19-34			164	60
		PR 163/100-115/...**							100-115	19-34			164	60
		PR 200/80/...							80				128	21
PR 200/90/...	90		127	25										
PR 200/100/...*	100		127	25										
PR 200/110/...*	110		126	25										
PR 200/118/...*	118		126	25										
PR 200/124/...*	124		125	25										
PR 200/135/...	135		125	25										
PR 200/140/...*	140		125	25										
80 (19 x 40)	0.55-0.75	PTFL 200	D 200 GK	200	165	130	145	140	16	11	M10	125	25	
								PR 203/105/...**	105				170	96
								PR 203/115/...**	115				170	96
								PR 203/124/...VDMA**	124				170	96
								PR 203/140/...VDMA**	140				170	96
								PR 203/148/...**	148				170	96
								90 S + L (24 x 50)	1.1-1.5			PTFS 200	D 200 GK	200
PR 203/105/...**	105		170	96										
PR 203/115/...**	115		170	96										
PR 203/124/...VDMA**	124		170	96										
PR 203/140/...VDMA**	140		170	96										

*Design acc. to VDMA

**for horizontal installation only

IEC motor size shaft (d x L)	kW at n= 1500 min ⁻¹	Bellhousing	Foot flange	Gasket	Dimensions [mm]									
					Motor side								Pump side	
					Type	Type	Type	∅ D	∅ D1	∅ D2	∅ D3	L	L1	G
100 L 112 M (28 x 60)	2.2-4	PR 250/115/...	PTFL 250 PTFS 250	D 250 GK	250	215	180	190	115	19	14	M12	178	24
		PR 250/120/...*							120				178	24
		PR 250/124/...*							124				177	42
		PR 250/128/...*							128				177	42
		PR 250/135/...*							135				177	42
		PR 250/148/...*							148				176	58
		PR 250/175/...*							175				175	58
132 S+M (38 x 80)	5.5-7.5	PR 300/144/...*	PTFL 300 PTFS 300	D 300 GK	300	265	230	234	144	20	14	M12	224	35
		PR 300/150/...*							150				223	43
		PR 300/155/...*							155				223	50
		PR 300/168/...*							168				222	60
		PR 300/196/...*							196				220	77
		PR 300/210/...							210				220	77
		PR 300/210/...							210				34	220
160 M+L (42 x 110)	11-15	PR 350/173/...	PTFL 350 PTFS 350	D 350 GK	350	300	250	260	173	25	18	M16	241	35
		PR 350/188/...*							188				238	50
		PR 350/204/...*							204				237	56
	18.5-22	PR 350/228/...*							228				240	77
		PR 350/256/...*							256				240	97
200 L (55 x 110)	30	PR 400/188/...*	PTFS 400	D 400 GK	400	350	300	300	188	25	18	M16	270	35
		PR 400/204/...*							204				267	60
		PR 400/228/...*							228				263	77
		PR 400/256/...*							256				258	97
		PR 400/271/...							271				40	258
225 S+M (60 x 140)	37-45	PR 450/217/...	PTFS 450	D 450 GK	450	400	350	350	217	25	18	M16	300	47
		PR 450/222/...							222				299	50
		PR 450/234/...*							234				296	50
		PR 450/240/...							240				295	80
		PR 450/262/...*							262				290	100
		PR 450/285/...*							285				286	100
		PR 450/315/...*							315				280	100
250 M (65 x 140)	55	PR 550/230/...	PTFS 550	D 550 GK	550	500	450	450	230	25	18	M16	362	50
		PR 550/248/...*							248				359	100
		PR 550/265/...*							265				356	100
	75-90	PR 550/275/...*							275				354	120
		PR 550/295/...*							295				350	120
		PR 550/315/...*							315				347	120
315 S+M 315 L (80 x 170)	110-200	PR 660/310/...*	PTFS 660	D 660 GK	660	600	550	550	310	32	22	M20	425	120
		PR 660/330/...*							330				416	120
		PR 660/345/...*							345				410	120
355 L/ 400 L (100 x 210)	250-400	PR 800/315/...	-	-	800	740	680	660	315	50	22	M20	443	145
		PR 800/360/...							360				425	120
		PR 800/380/...							380				416	120
		PR 800/395/...							395				410	120

*Design acc. to VDMA