

Part number:

HYDROMA

HYDRAULICKÉ SYSTÉMY

**HIDROMA
SYSTEMS**

UKŁADY HYDRAULICZNE

HYDROMA

ГИДРАВЛИЧЕСКИЕ СИСТЕМЫ

Compensator

Size 1"– 5"

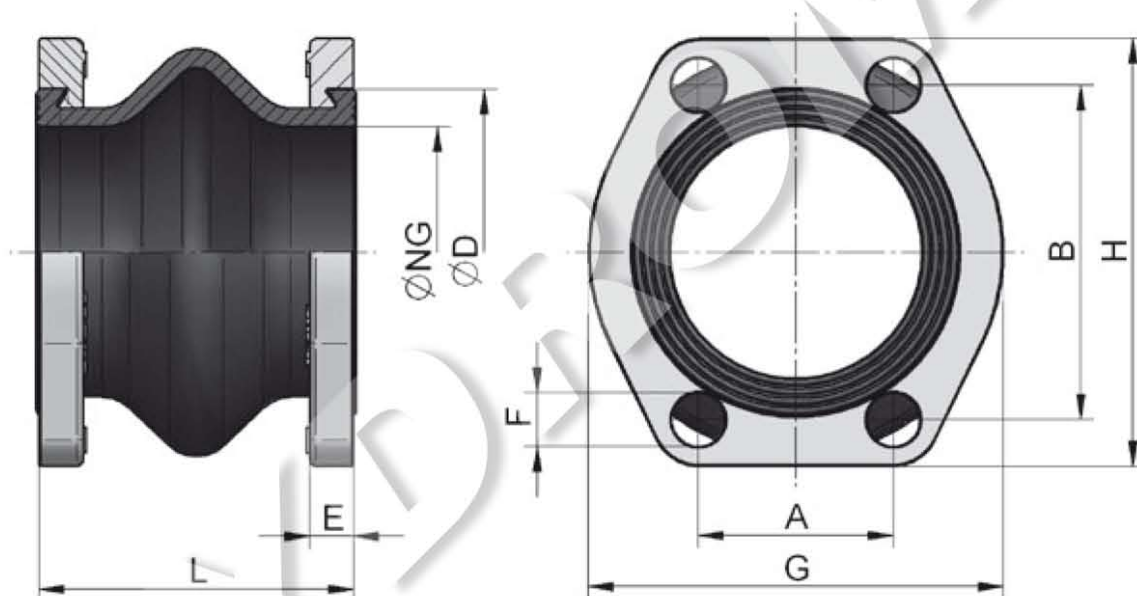
Rubber compensators are elastic connectors with turn able SAE flanges. Compensators are used for damping oscillations, vibrations, noises and movements in axial and transversal direction.

Design

Rubber compensators have a plain surface vulcanized to a fabric body (inside and outside) of the rubber part. The outside is weather resistant and protects the fabric against ageing, wear and corrosion. The interior of the rubber part consists of nitril-butadien-caoutchouc (BUNA-N). Because compensators have tightening lips on both sides, further seals are not necessary.

Operating range for suction and return lines.

All mineral oil products, crude oil, lubrication oil, cooling oil (-20°C/68°F up to 80°C/176°F, intermittent 100°C/212°F), grease, cold water, warm water up to 60°C (140°F), water/oil emulsions, fuel with 30% aromatic content.



| description | order number | size | | A | B | D | E | F | G | H | L | weight |
|-------------|--------------|------|-----|------|-------|------|------|------|------|------|------|--------|
| | | SAE | NG | [mm] | [mm] | [mm] | [mm] | [mm] | [mm] | [mm] | [mm] | [kg] |
| K16S – 25 | SDKSS025 | 1" | 25 | 26,2 | 52,4 | 43 | 11 | 11 | 59 | 70 | 65 | 0,4 |
| K16S – 32 | SDKSS032 | 1 ¼" | 32 | 30,2 | 58,7 | 50 | 11 | 13 | 73 | 81 | 65 | 0,5 |
| K16S – 40 | SDKSS040 | 1 ½" | 40 | 35,7 | 70,0 | 62 | 13 | 13 | 83 | 95 | 100 | 0,8 |
| K16S – 50 | SDKSS050 | 2" | 50 | 42,9 | 77,8 | 72 | 13 | 13 | 97 | 103 | 100 | 1,0 |
| K16S – 63 | SDKSS063 | 2 ½" | 63 | 50,8 | 89,0 | 87 | 14 | 13 | 109 | 115 | 100 | 1,2 |
| K16S – 80 | SDKSS080 | 3" | 80 | 62,0 | 106,4 | 104 | 14 | 17 | 131 | 136 | 100 | 1,8 |
| K16S – 90 | SDKSS090 | 3 ½" | 80 | 70,0 | 120,6 | 104 | 14 | 17 | 140 | 152 | 100 | 1,9 |
| K16S – 100 | SDKSS100 | 4" | 100 | 77,8 | 130,2 | 130 | 16 | 17 | 152 | 162 | 100 | 2,5 |
| K16S – 125 | SDKSS126 | 5" | 125 | 92,0 | 152,4 | 155 | 16 | 17 | 165 | 184 | 130 | 3,0 |

Material

| | |
|---------|--------|
| inside | NBR/CR |
| outside | CR |
| flange | steel |

Working Pressure

| | |
|--------------------------|------------------------|
| maximum working pressure | 0,2 ÷ 1,5 bar absolute |
|--------------------------|------------------------|