

Part number:

HYDROMA

HYDRAULICKÉ SYSTÉMY

**HIDROMA
SYSTEMS**

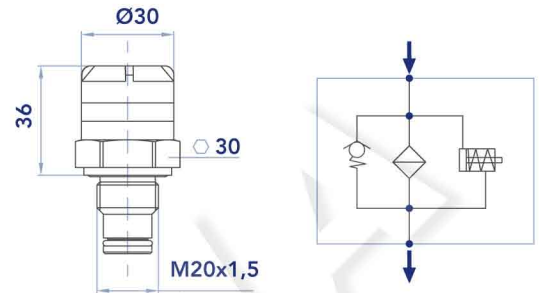
UKŁADY HYDRAULICZNE

HYDROMA

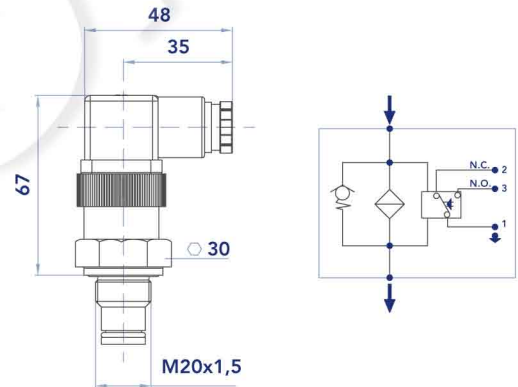
ГИДРАВЛИЧЕСКИЕ СИСТЕМЫ

INDICATOR SERIE DESCRIPTION FOR PRESSURE FILTERS SERIES

NBR	FKM	Differential VISUAL indicators	
5B	AB	Setting 130 kPa (1,3 bar)	FPH - FPO
5D	AD	Setting 250 kPa (2,5 bar)	FPA - FPB - FPD - FPG - FPL - FPM - FPO
5E	AE	Setting 500 kPa (5 bar)	FPA - FPB - FPC - FPD - FPL - FPM
5F	AF	Setting 800 kPa (8 bar)	FPA - FPB - FPC - FPD - FPL - FPM

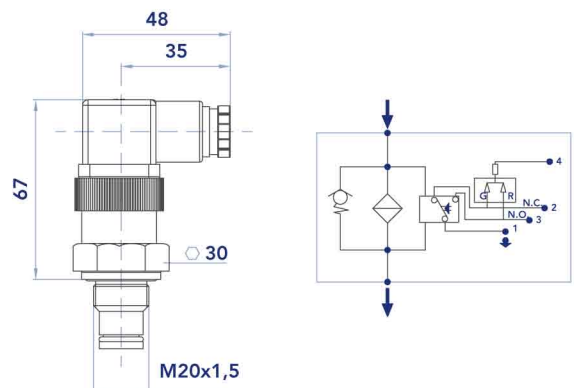


NBR	FKM	Differential ELECTRICAL indicators	
6B	CB	Setting 130 kPa (1,3 bar)	FPH - FPO
6D	CD	Setting 250 kPa (2,5 bar)	FPA - FPB - FPD - FPG - FPL - FPM - FPO
6E	CE	Setting 500 kPa (5 bar)	FPA - FPB - FPC - FPD - FPL - FPM
6F	CF	Setting 800 kPa (8 bar)	FPA - FPB - FPC - FPD - FPL - FPM



SPDT differential switch. C.C. 14 - 30 V: > max resistive or inductive load 4 - 3 A respectively
C.A. 125-250 V: > max resistive or inductive load 1 A - Protection IP65 - Connector DIN 43650

NBR	FKM	Differential ELECTRICAL indicators with LED (24 V) for visual indication	
7B	EB	Setting 130 kPa (1,3 bar)	FPH - FPO
7D	ED	Setting 250 kPa (2,5 bar)	FPA - FPB - FPD - FPG - FPL - FPM - FPO
7E	EE	Setting 500 kPa (5 bar)	FPA - FPB - FPC - FPD - FPL - FPM
7F	EF	Setting 800 kPa (8 bar)	FPA - FPB - FPC - FPD - FPL - FPM



SPDT differential switch. C.C. 14 - 30 V: > max resistive or inductive load 4 - 3 A respectively
C.A. 125-250 V: > max resistive or inductive load 1 A - Protection IP65 - Connector DIN 43650