

Part number:

006-10206

**HYDROMA**

HYDRAULICKÉ SYSTÉMY

**HIDROMA**  
SISTEMS

UKŁADY HYDRAULICZNE

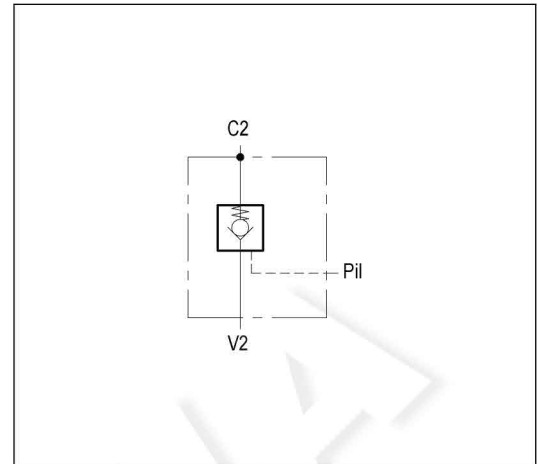
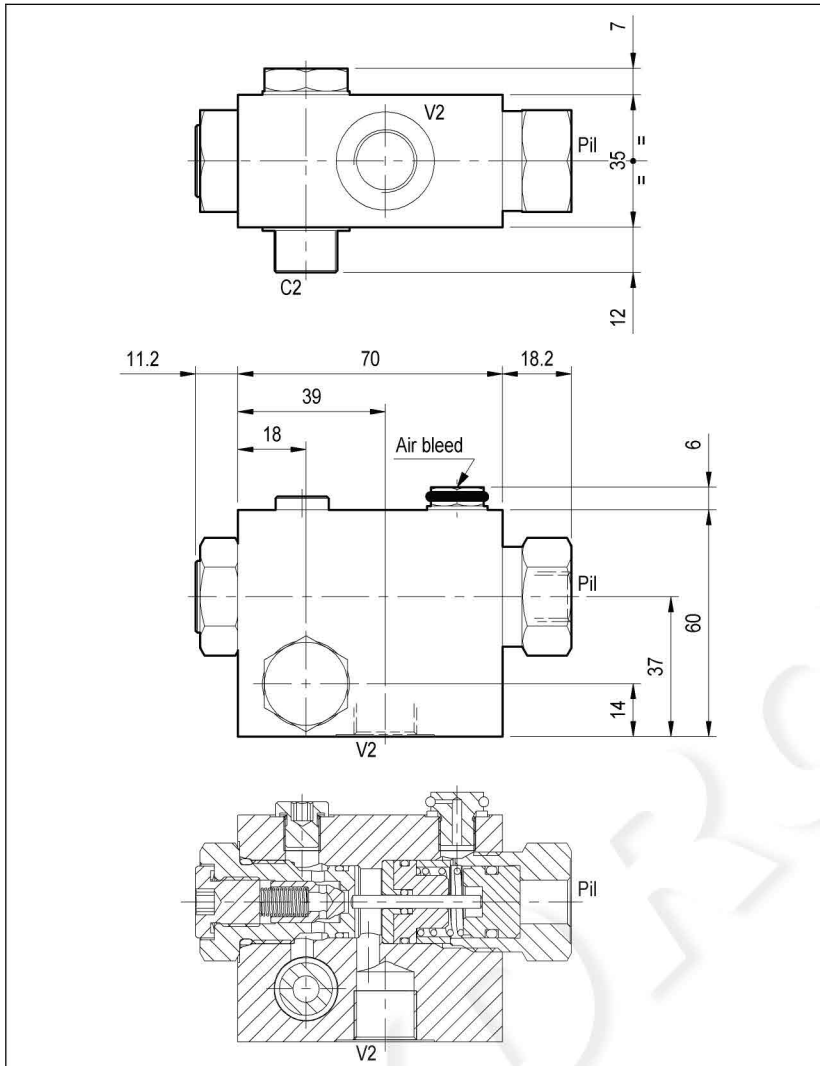
**HYDROMA**

ГИДРАВЛИЧЕСКИЕ СИСТЕМЫ

**PILOT OPERATED  
VENTED PILOT PISTON CHECK**

**VSO-SE-PS-FCV-N**

**05.52.83 - X - Y - Z**

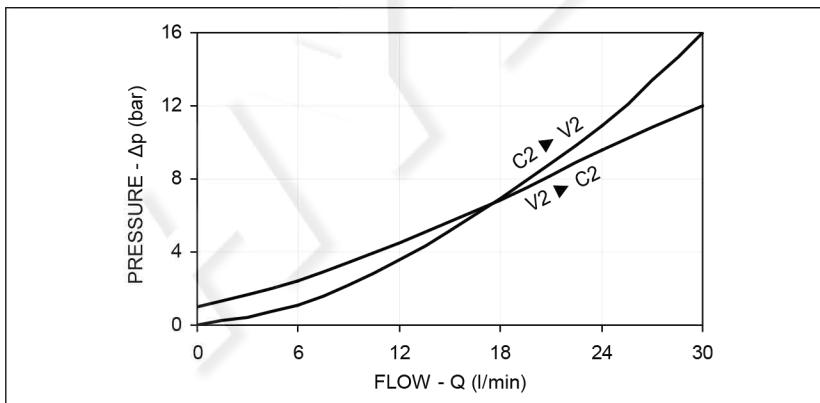


**TECHNICAL DATA**

Max working pressure:	350	bar
Max flow:	30	l/min
Pilot ratio:	10:1	
Installation torque:	41-49 Nm (max 90°)	
Weight:	0.6	Kg

**WARNING:** it is recommended to connect the air bleed port (G1/8) to tank.

The version with Z=01 in part no. (heavier spring) is generally recommended.



<b>X</b>	<b>O-RING ON PILOT PISTON</b>
<b>00</b>	With O-Ring

<b>Z</b>	<b>SPRINGS</b>			
	Cracking pressure bar			Ordering code
<b>00</b>	1			03.51.01.317
<b>01</b>	4.5			03.51.01.318

<b>Y</b>	<b>PORT SIZE</b>	
	V2-C2	Pil
<b>02</b>	G 3/8	G 1/4