

Part number:

047-10003a

HYDROMA

HYDRAULICKÉ SYSTÉMY

**HIDROMA
SYSTEMS**

UKŁADY HYDRAULICZNE

HYDROMA

ГИДРАВЛИЧЕСКИЕ СИСТЕМЫ

49 000/107 ED



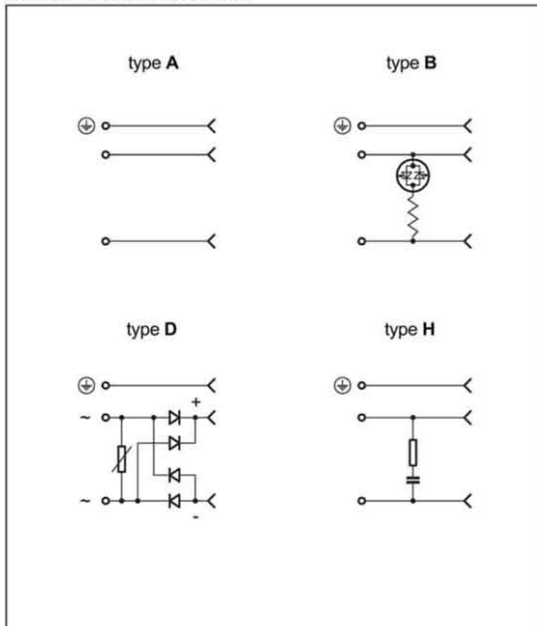
EC
ELECTRIC CONNECTORS
SERIES 10

DIN 43650

ISO 4400

type A

ELECTRICAL DIAGRAM



DESCRIPTION

- The EC connectors, according to DIN 43650 and ISO 4400, are in the model "A" configuration and are used mainly for the electrical connection of valve solenoids.
- When they are correctly installed and coupled they provide waterproof protection according to CEI EN 60529 standards, class of protection IP65.
- The class of insulation is therefore in compliance with VDE 01101/89 specifications, operating voltage up to 250 Volt.
- The wire terminal block can be extracted from the external housing to allow the wire connections to the relative clamps to be made and allow the gland orientation as regards the electrical contacts to be turned through 90° as necessitated by the wiring (except version H).
- The EC connectors are available in four different types with specific functions:
 - type A, connector two poles + ground
 - type B, with lamp (available in 10 + 50 and 70 + 250 voltages)
 - type D, with bridge rectifier
 - type H, with RC damping circuit
- They are available in two colours, grey and black, to distinguish the mounting on solenoid "a" or "b" ports. (except version "b" in which they are transparent)
- They are supplied with M3 fastening bolt and NBR gasket.

SPECIFICATIONS			type A	type B	type D	type H
Operating voltage	VCC - VCA		up to 230	10 + 50 / 70 + 250	up to 230	up to 230
Number of connections			2 + ground			
Current on connections	nominal	A	10			
	maximum		16			
Contact resistance	mW		≤4			
Maximum conductor cross section	mm ²		1,5			
Wire external diameter	mm		6 ÷ 8			
Gland dimension			Pg 9			
Protection class			IP 65 CEI EN 60529			
Insulation class			VDE 0110-1/89			
Operating temperature	° C		- 40 / + 90			

Part number:

047-10003b

HYDROMA

HYDRAULICKÉ SYSTÉMY

**HIDROMA
SISTEMS**

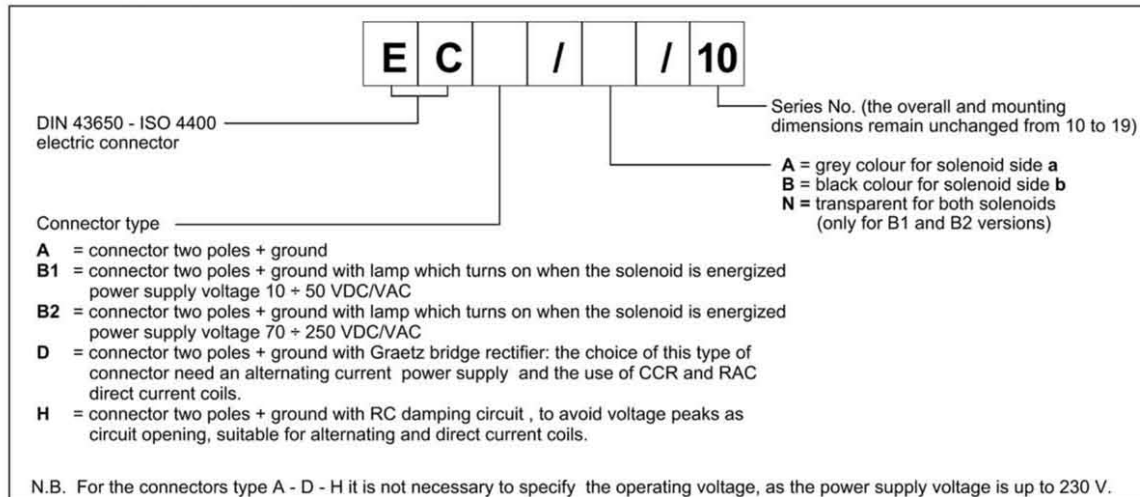
UKŁADY HYDRAULICZNE

HYDROMA

ГИДРАВЛИЧЕСКИЕ СИСТЕМЫ

EC
SERIES 10

1 - IDENTIFICATION CODE



2 - OVERALL AND MOUNTING DIMENSIONS

